

AIR PREPARATION



Installation & Application Data

- 1 Before installing check components have not been damaged during transportation.
- 2 Check flow direction and thread type are correct.
- 3 Please note whether the installation conditions meet the technical requirements (such as working pressure & applied temperature range).
- 4 Use compressed air only.
- 5 Clean or change filter element regularly.
- 6 When the unit is dismantled use port plugs to stop dirt ingress into the unit.

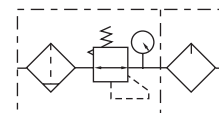
AIR PREPARATION FILTER/REGULATOR & LUBRICATOR



Specification

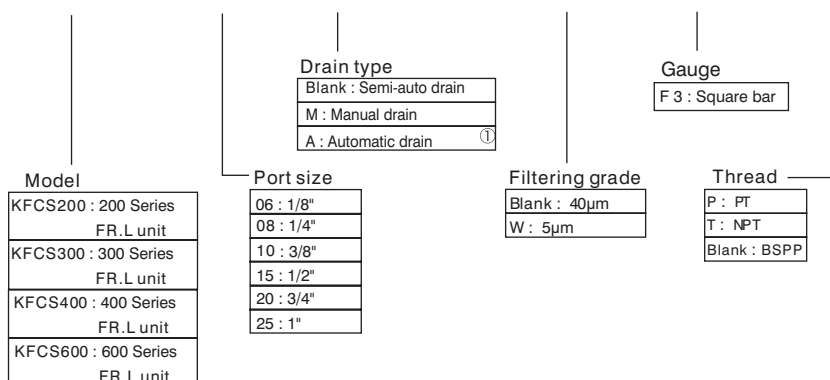
Model	KFCS200-06	KFCS200-08	KFCS300-08	KFCS300-10	KFCS300-15	KFCS400-10	KFCS400-15	KFCS600-20	KFCS600-25	
Fluid	Air									
Port	1/8"	1/4"	1/4"	3/8"	1/2"	3/8"	1/2"	3/4"	1"	
Micron	40µm or 5µm									
Pressure Range	Semi-auto & Automatic Drain : 0.15-0.9MPa (20-130psi) Manual Drain : 0.05-0.9MPa (7-130psi)									
Proof Pressure	1.5 MPa (215psi)									
Temperature Range	-5 to +60°C									
Capacity of Drain Bowl	10CC		40CC			80CC		230CC		
Capacity of Oil Bowl	25CC		75CC			160CC		380CC		
Recommended Lubricant	ISO VG 32 or equivalent									
Weight	425g		980g			1950g		4320g		
Constitute	Filter/Reg	KFRS200-06	KFRS200-08	KFRS300-08	KFRS300-10	KFRS300-15	KFRS400-10	KFRS400-15	KFRS600-20	KFRS600-25
	Lubricator	KLS200-06	KLS200-08	KLS300-08	KLS300-10	KLS300-15	KLS400-10	KLS400-15	KLS600-20	KLS600-25

Symbol



Ordering Code

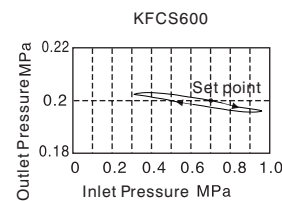
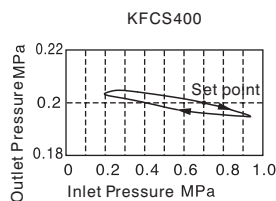
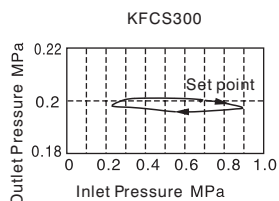
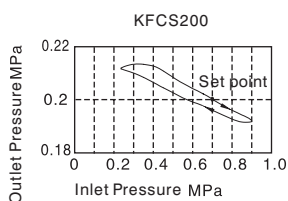
KFCS200 — 08 — — — F 3 —



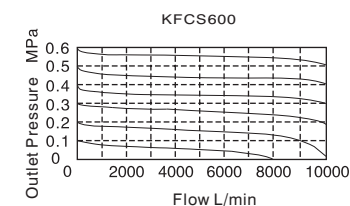
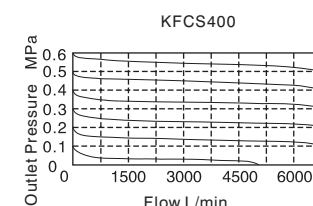
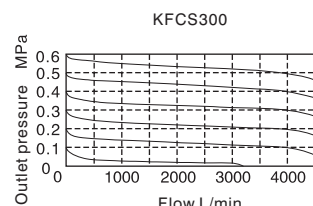
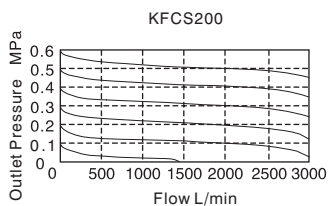
Product Features

- 1 Quick and reliable installation.
- 2 Pressure adjustment is reliable and precise.
- 3 Filtration 40micron or 5 micron.
- 4 Manual, semi-auto and automatic drains available.

Pressure Charts



Flow Charts (Inlet Pressure 0.7MPa)

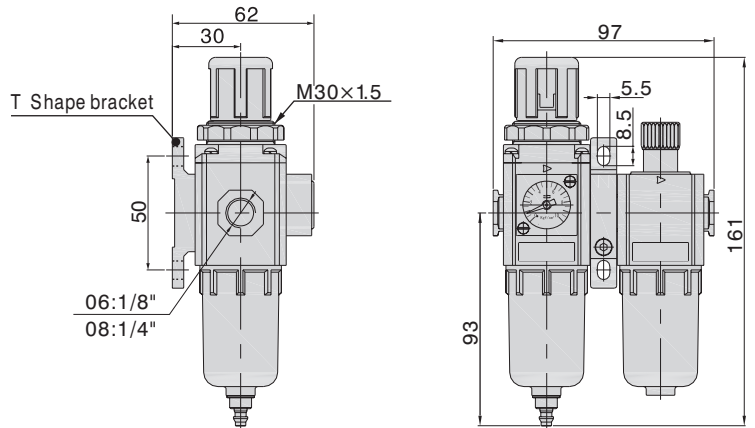


AIR PREPARATION FILTER/REGULATOR & LUBRICATOR



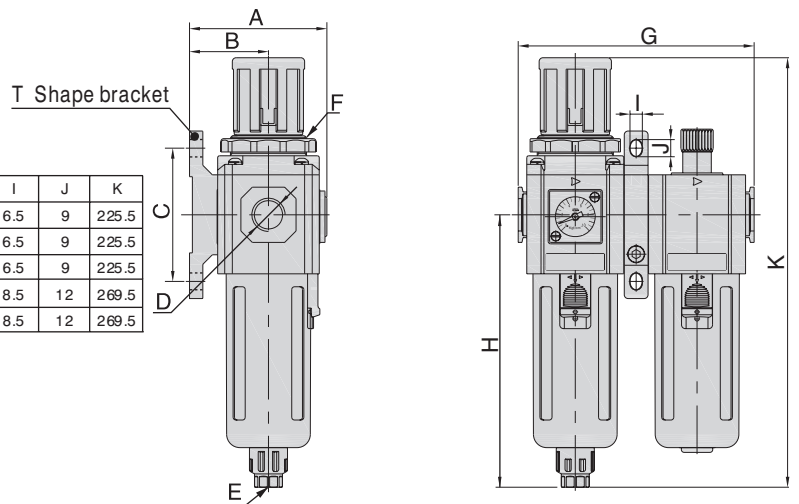
Dimensions

KFCS200

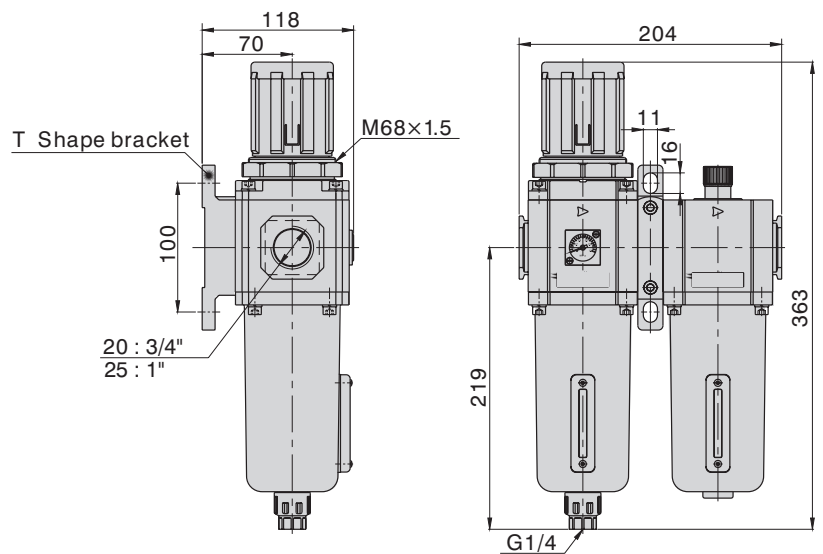


KFCS300 & 400

Model/Item	A	B	C	D	E	F	G	H	I	J	K
KFCS300-08	72	41.5	70	1/4"	G1/8	M40 x 1.5	124	143	6.5	9	225.5
KFCS300-10	72	41.5	70	3/8"	G1/8	M40 x 1.5	124	143	6.5	9	225.5
KFCS300-15	72	41.5	70	1/2"	G1/8	M40 x 1.5	124	143	6.5	9	225.5
KFCS400-10	85.5	50	80	3/8"	G1/4	M55 x 2.0	164	165.5	8.5	12	269.5
KFCS400-15	85.5	50	80	1/2"	G1/4	M55 x 2.0	164	165.5	8.5	12	269.5



KFCS600



AIR PREPARATION FILTER/REGULATOR



Dimensions

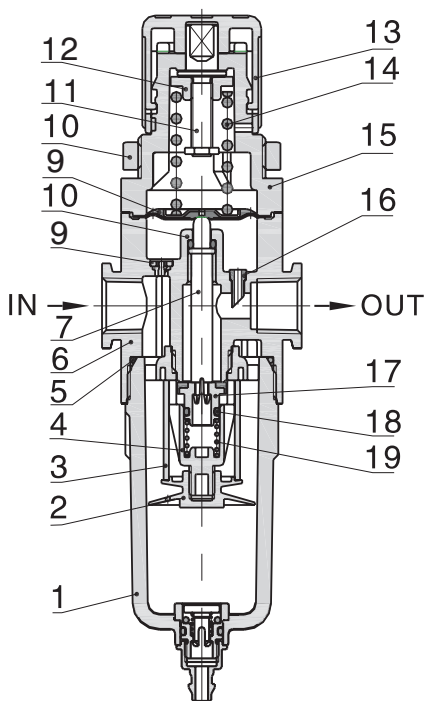
Drain Options

200		300 / 400 / 600		
Manual Drain	Semi-auto Drain	Manual Drain	Semi-auto Drain	Automatic Drain
PU tube with an inner diameter of $\phi 5$ or $\phi 5.5$ mm is recommended		300:G1/8 400/600:G1/4	300:G1/8 400/600:G1/4	300:G1/8 400/600:G1/4

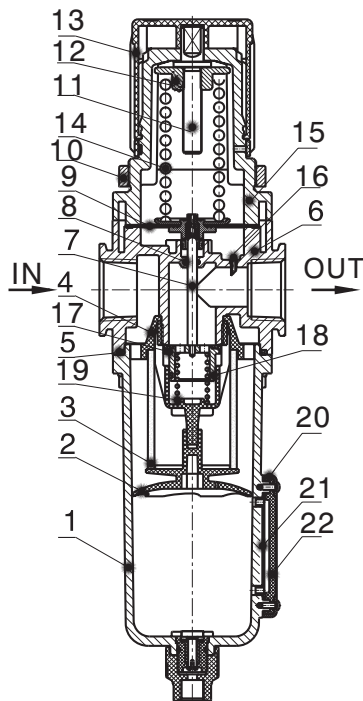
Inner Structure

KFRS200, 300 & 400

KFRS600



Semi-Auto Drain



Semi-Auto Drain

No	Item	Material
1	Drain Bowl	Aluminum Alloy (600) PC (200/300/400)
2	Umbrella Baffle	High Viscosity POM
3	Filter Core	Bronze (40 μ m) Bronze (600) Makrolon fiber: (5 μ m)
4	Air Guider	High Viscosity POM
5	O-ring	NBR
6	Body	Aluminum Alloy
7	Adjusting Spool	Brass (600) POM (200/300/400)
8	O-ring	NBR
9	Diaphragm	SUS304 & Rubber
10	Fixation Ring Cap	Aluminum Alloy (600) PC (200,300,400)
11	Adjusting Spindle	Steel
12	Regulator Nut	Steel
13	Pressure Knob	POM
14	Spring	SWC
15	Adjusting Seat	Aluminum Alloy (600) PC (200,300,400)
16	Feedback Tube	POM
17	Adjusting Plug	Brass & Rubber
18	O-ring	NBR
19	Spring	SUS304
20	Liquid Meter Cover	SPCC
21	Liquid Meter Seal	VITON
22	Liquid Meter Inside Cover	PC