



MODEL 107/2107 SERIES COMPRESSOR SERVICE KIT

 **CAUTION:** Improper assembly or use of damaged parts may lead to premature failure. To avoid frequent repairs follow these assembly procedures.

 **NOTE:** Before you begin read these instructions thoroughly. Assemble the necessary tools. You will need a flat tip and phillips head screw driver as well as a T-20 and T-25 Torx driver for a torque wrench.

 **WARNING:** Unplug the compressor before beginning disassembly.

ALWAYS NOTE POSITION AND ORIENTATION OF PARTS AS REMOVED TO ASSURE CORRECT POSITIONING WHEN REASSEMBLING.

MODEL NO. SK-107B

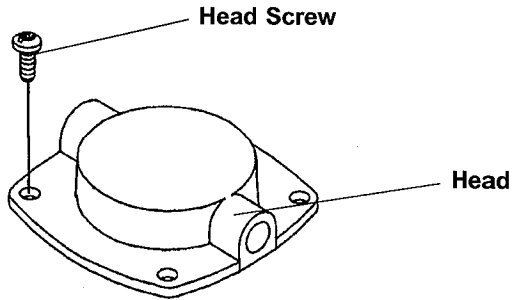
Parts included in this kit:

PART NO.	QTY	DESCRIPTION
608148	1	Diaphragm
633439	1	Gasket - Valve Plate
617045	2	Valve Keeper Strip
621102	2	Valve Flapper
625540	4	Screw - Hold Down Plate
625606	4	Screw - Valve Plate
625160	2	Screw - Valve Flapper
625444	4	Screw - Head
641034	1	Filter - Foam

INTAKE & EXHAUST VALVE REPLACEMENT

1. Remove 4 head screws and head. Discard screws. Turn head over. Remove 4 screws from valve plate. Discard screws. Remove valve plate from head. NOTE: If valve plate needs to be pried out of head cavity, be careful that the intake hole seat area does not get damaged. If damage should occur the valve plate will need to be replaced.
2. Remove gasket and discard.
3. Remove screw, flapper and keeper from top side of valve plate, discard. Wipe valve plate with a soft clean cloth. Reassemble new flapper and keeper with new screw. Torque to 10 in- lbs. Make sure the end of the flapper covers the intake hole and that the keeper is aligned properly. Turn valve plate over and repeat procedure on exhaust flapper.
4. Wipe inside of head with a clean soft cloth, be sure to remove any excess gasket. Install new gasket.

5. Replace valve plate in head. (See Fig. #1). Insert 4 new screws. Torque valve plate screws to 40 in- lbs.



NOTE: If you are replacing the diaphragm, skip step number 6 and proceed to the diaphragm replacement instructions.

6. Replace head. Torque screws to 40 in- lbs. in a criss-cross pattern.

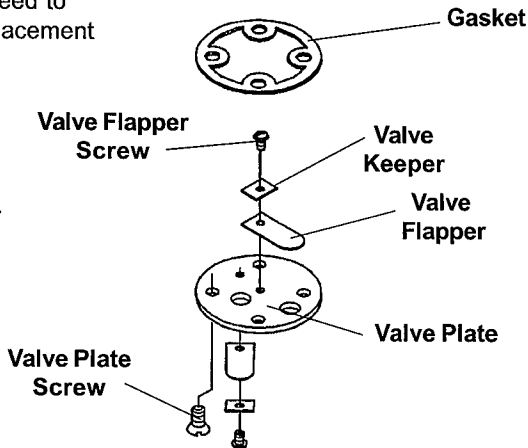
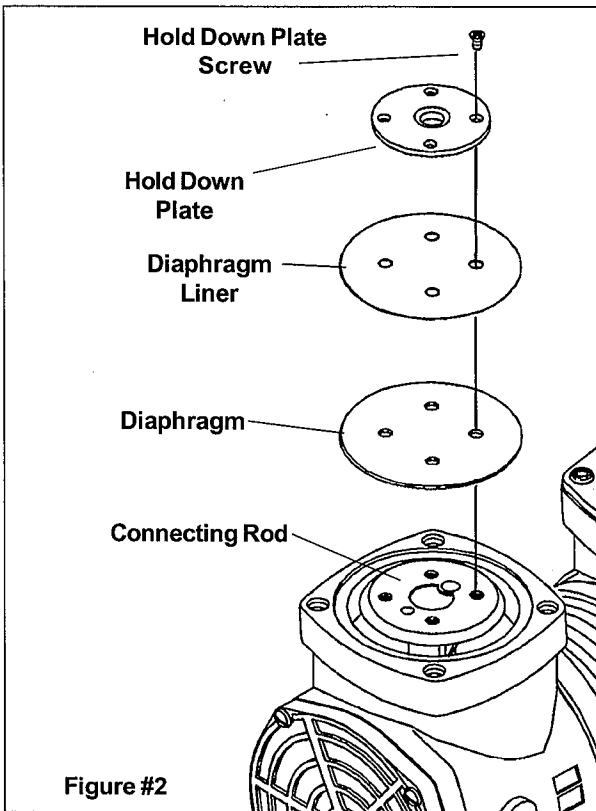


Figure #1

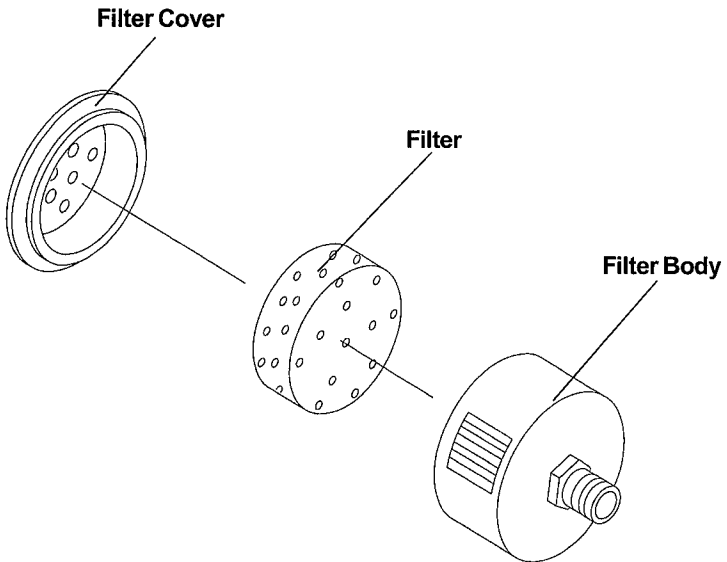
DIAPHRAGM REPLACEMENT

1. Remove head.
2. Remove four screws from hold down plate. Discard screws.
3. Remove hold down plate, diaphragm and diaphragm liner (if present) from connecting rod top. Wipe connecting rod top and hold down plate with a clean soft cloth.
4. Center new diaphragm, liner, (if present), and hold down plate over connecting rod holes. Make sure all holes align properly and that the diaphragm is centered in the well of the housing. Insert four new screws. (See Fig. #2). Torque screws to 20 in- lbs. in criss-cross pattern.
5. Clean inside of head and replace head. Torque screws to 40 in-lbs. in a criss-cross pattern.



FILTER REPLACEMENT

1. Remove filter cover.
2. Remove foam filter from filter body and discard.
3. Replace with the new filter from this kit.
4. Replace filter cover.



 **Rietschle
Thomas**
A Thomas Industries Company