

DIAPHRAGM

Pumps and Compressors 107 Series

MODELS:

Standard models available.

**107CAB18, 107CCD18, 107CEF18, 107CGH18
107CDC20**

Other models based on availability and minimum purchase.

FEATURES (AC& DC):

- Oil-less operation
- Permanently lubricated bearings
- Closed housing and motor vents (107CDC/C only)
- Stainless valves
- Die cast aluminum head, valve plate and diaphragm hold down plate with dichromate conversion treatment
- Balanced for smooth, low vibration operation
- Long-life diaphragm
- Field service capability
- UL® recognized motor and thermal protector (115 Volt, AC only)
- Inlet filter
- CE approval on all standard 220-240/50hz models (Consult factory for non-standard models.)

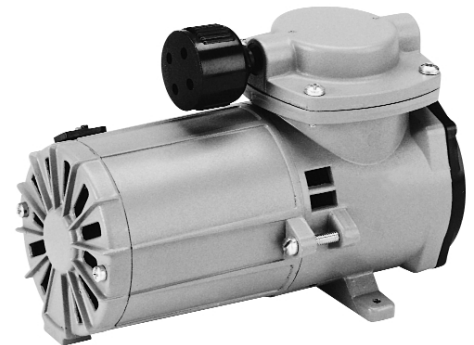
Consult factory for custom applications



107CAB, CCD



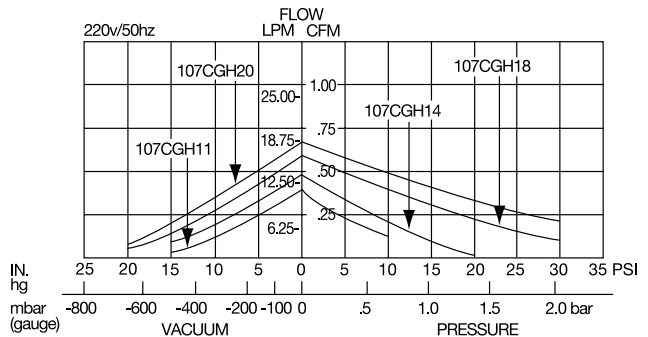
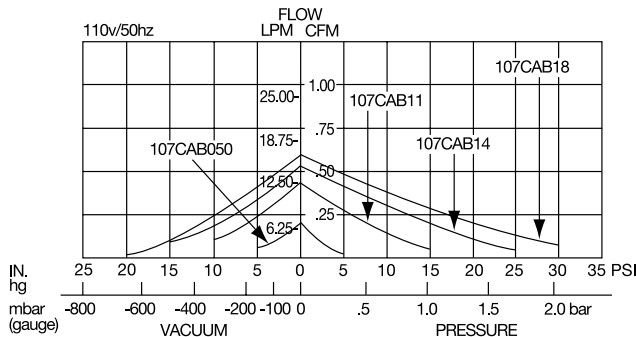
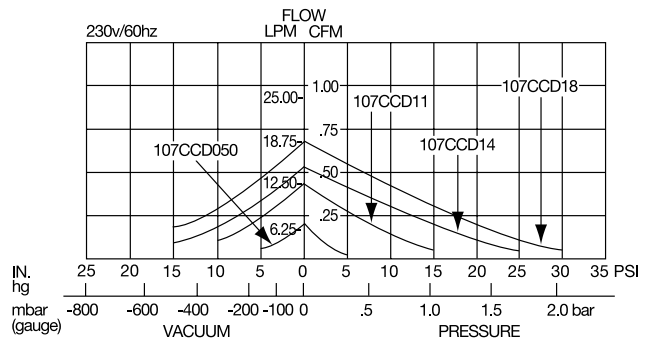
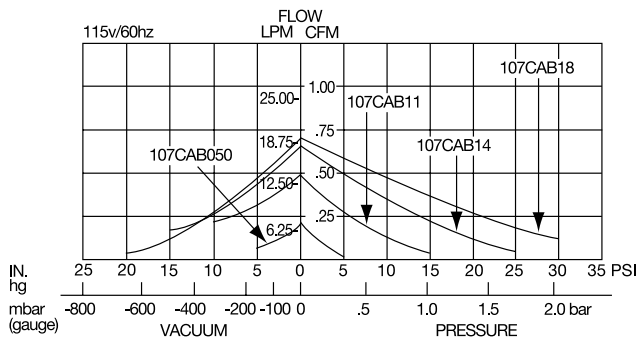
107CEF, CGH



107CDC

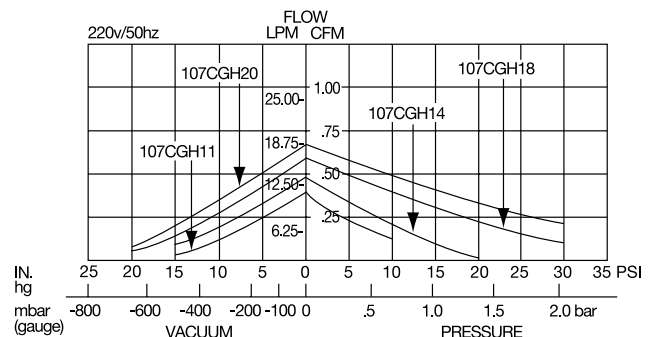
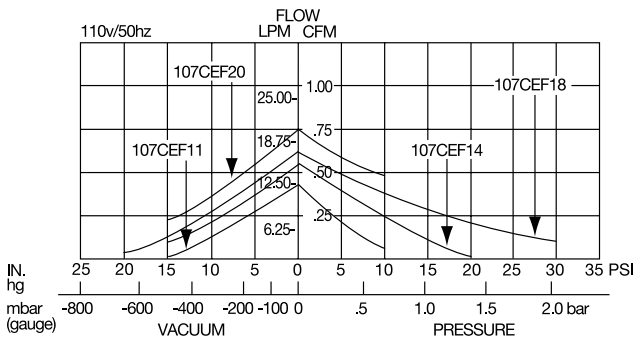
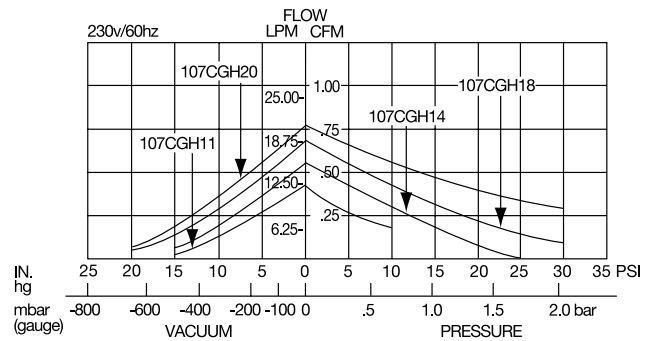
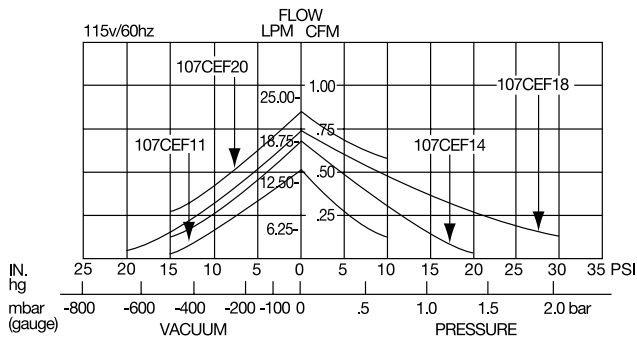
107 SERIES (AC) PERFORMANCE DATA:

		STANDARD								STANDARD							
MODEL NUMBER:		107CAB050		107CAB11		107CAB14		107CAB18		107CCD050		107CCD11		107CCD14		107CCD18	
HEAD CONFIGURATION:		Pressure/Vacuum		Pressure/Vacuum		Pressure/Vacuum		Pressure/Vacuum		Pressure/Vacuum		Pressure/Vacuum		Pressure/Vacuum		Pressure/Vacuum	
STROKE:		.050 Inches		.110 Inches		.140 Inches		.180 Inches		.050 Inches		.110 Inches		.140 Inches		.180 Inches	
PRESSURE:		Flow @ 115v/110v		Flow @ 115v/110v		Flow @ 115v/110v		Flow @ 115v/110v		Flow @ 230v/220v		Flow @ 230v/220v		Flow @ 230v/220v		Flow @ 230v/220v	
CFM @ PSI	LPM @ bar																
PSI	bar	CFM	LPM	CFM	LPM	CFM	LPM	CFM	LPM	CFM	LPM	CFM	LPM	CFM	LPM	CFM	LPM
0	0	.19 / .17	5.4 / 4.8	.49 / .40	13.9 / 11.3	.66 / .55	18.7 / 15.6	.69 / .58	19.5 / 16.4	.18 / .15	5.1 / 4.2	.38 / .32	10.8 / 9.1	.53 / .45	15.0 / 12.7	.65 / .55	18.4 / 15.6
5	.5	.02 / .03		.31 / .28	7.1 / 6.4	.45 / .40	11.1 / 10.1	.60 / .49	15.8 / 12.9	.10 / .08	1.8 / 1.4	.25 / .21	5.7 / 4.8	.38 / .32	9.0 / 7.5	.51 / .43	13.0 / 11.0
10	1.0			.18 / .16	2.3 / 2.0	.32 / .30	6.8 / 6.0	.51 / .41	11.6 / 9.9			.14 / .12	3.0 / 2.4	.24 / .20	4.5 / 3.9	.40 / .34	8.3 / 7.1
15	1.5			.07 / .06		.23 / .20	3.0 / 2.7	.40 / .33	8.0 / 6.4			.10 / .08		.15 / .13	2.3 / 1.8	.28 / .24	5.2 / 4.4
20	2.0					.13 / .12		.31 / .25	4.5 / 3.5					.10 / .08		.20 / .17	3.1 / 2.5
25	3.0					.06 / .05		.23 / .18								.15 / .13	
30								.14 / .11									
35																	
MAX. CONTINUOUS PRESSURE:		5 PSI	0.3 bar	15 PSI	1.0 bar	25 PSI	1.7 bar	20 PSI	1.4 bar	5 PSI	0.3 bar	15 PSI	1.0 bar	20 PSI	1.4 bar	20 PSI	1.4 bar
MAX. INTERMITTENT PRESSURE:		5 PSI	0.3 bar	15 PSI	1.0 bar	25 PSI	1.7 bar	30 PSI	2.1 bar	5 PSI	0.3 bar	15 PSI	1.0 bar	20 PSI	1.4 bar	30 PSI	2.1 bar
VACUUM:		Flow @ 115v/110v		Flow @ 115v/110v		Flow @ 115v/110v		Flow @ 115v/110v		Flow @ 230v/220v		Flow @ 230v/220v		Flow @ 230v/220v		Flow @ 230v/220v	
CFM @ IN. hg	LPM @ mbar (gauge)																
IN. hg	mbar (gauge)	CFM	LPM	CFM	LPM	CFM	LPM	CFM	LPM	CFM	LPM	CFM	LPM	CFM	LPM	CFM	LPM
0	0	.19 / .17	5.4 / 4.8	.49 / .40	13.9 / 11.3	.66 / .55	18.7 / 15.6	.69 / .58	19.5 / 16.4	.18 / .15	5.1 / 4.2	.38 / .32	10.8 / 9.1	.53 / .45	15.0 / 12.7	.65 / .55	18.4 / 15.6
5	-100	.10 / .08	3.9 / 3.3	.34 / .27	11.4 / 9.2	.45 / .38	15.2 / 12.7	.54 / .44	17.0 / 14.1	.08 / .06	3.4 / 2.7	.24 / .20	8.4 / 7.1	.35 / .30	12.0 / 10.2	.48 / .40	15.6 / 13.1
10	-200		2.4 / 1.8	.19 / .15	8.9 / 7.0	.29 / .25	12.0 / 10.1	.36 / .29	14.4 / 11.7		1.8 / 1.2	.11 / .09	6.1 / 5.1	.21 / .18	9.2 / 7.9	.32 / .27	12.8 / 10.7
15	-400				3.8 / 3.0	.16 / .12	6.9 / 5.7	.20 / .16	8.6 / 6.9				1.8 / 1.4	.09 / .07	4.7 / 4.0	.18 / .15	7.6 / 6.4
20	-600						2.5 / 1.4	.05 / .04	3.4 / 2.7								3.0 / 2.4
25	-800																
MAX. VACUUM:		9.0" hg	-305 mbar	17.2" hg	-582 mbar	20.1" hg	-681 mbar	22.1" hg	-748 mbar	9.0" hg	-305 mbar	16.9" hg	-572 mbar	19.0" hg	-643 mbar	22.0" hg	-746 mbar
MAX. AMBIENT TEMPERATURE:		104°F	40°C	104°F	40°C	104°F	40°C	104°F	40°C	104°F	40°C	104°F	40°C	104°F	40°C	104°F	40°C
MIN. AMBIENT TEMPERATURE:		50°F	10°C	50°F	10°C	50°F	10°C	50°F	10°C	50°F	10°C	50°F	10°C	50°F	10°C	50°F	10°C
MAX. RESTART PRESSURE:		0 PSI	0 bar	0 PSI	0 bar	0 PSI	0 bar	0 PSI	0 bar	0 PSI	0 bar	0 PSI	0 bar	0 PSI	0 bar	0 PSI	0 bar
MAX. RESTART VACUUM:		0" hg	0 mbar	0" hg	0 mbar	0" hg	0 mbar	0" hg	0 mbar	0" hg	0 mbar	0" hg	0 mbar	0" hg	0 mbar	0" hg	0 mbar
MOTOR VOLTAGE/FREQUENCY:		115/60/1-110/50/1		115/60/1-110/50/1		115/60/1-110/50/1		115/60/1-110/50/1		230/60/1-220/50/1		230/60/1-220/50/1		230/60/1-220/50/1		230/60/1-220/50/1	
HORSEPOWER:		1/20		1/20		1/20		1/20		1/20		1/20		1/20		1/20	
MOTOR TYPE:		Shaded Pole		Shaded Pole		Shaded Pole		Shaded Pole		Shaded Pole		Shaded Pole		Shaded Pole		Shaded Pole	
CURRENT AT RATED LOAD (AMPS):		1.40 / 1.60		1.45 / 1.64		1.50 / 1.74		1.69 / 2.18		.6 / .8		.7 / .9		.7 / .9		.8 / 1.0	
POWER AT RATED LOAD (WATTS):		80 / 85		85 / 90		92 / 100		107 / 136		75 / 85		80 / 100		90 / 100		100 / 120	
STARTING CURRENT (LOCKED ROTOR AMPS):		2.77 / 3.09		2.77 / 3.09		2.77 / 3.09		2.77 / 3.09		1.2		1.2		1.2		1.2	
INSULATION CLASS:		B		B		B		B		B		B		B		B	
MIN. FULL LOAD SPEED (RPM):		1740 / 1490		1720 / 1470		1700 / 1430		1630 / 1260		1750 / 1450		1730 / 1430		1700 / 1390		1620 / 1220	
THERMAL PROTECTOR:		Yes		Yes		Yes		Yes		Yes		Yes		Yes		Yes	
CAPACITOR VALUE:																	
NET WEIGHT:		5.1 lbs.	2.3 Kg	5.1 lbs.	2.3 Kg	5.1 lbs.	2.3 Kg	5.1 lbs.	2.3 Kg	5.1 lbs.	2.3 Kg	5.1 lbs.	2.3 Kg	5.1 lbs.	2.3 Kg	5.1 lbs.	2.3 Kg



107 SERIES (AC) PERFORMANCE DATA:

		STANDARD								STANDARD							
MODEL NUMBER:		107CEF11		107CEF14		107CEF18		107CEF20		107CGH11		107CGH14		107CGH18		107CGH20	
HEAD CONFIGURATION:		Pressure/Vacuum		Pressure/Vacuum		Pressure/Vacuum		Pressure/Vacuum		Pressure/Vacuum		Pressure/Vacuum		Pressure/Vacuum		Pressure/Vacuum	
STROKE:		.110 Inches		.140 Inches		.180 Inches		.200 Inches		.110 Inches		.140 Inches		.180 Inches		.200 Inches	
PRESSURE:		Flow @ 115v/110v		Flow @ 115v/110v		Flow @ 115v/110v		Flow @ 115v/110v		Flow @ 230v/220v		Flow @ 230v/220v		Flow @ 230v/220v		Flow @ 230v/220v	
CFM @ PSI		LPM @ bar															
PSI	bar	CFM	LPM	CFM	LPM	CFM	LPM	CFM	LPM	CFM	LPM	CFM	LPM	CFM	LPM	CFM	LPM
0	0	.51 / .43	14.4 / 12.2	.65 / .56	18.4 / 15.9	.73 / .60	20.7 / 17.0	.85 / .75	24.1 / 21.2	.44 / .38	12.5 / 10.8	.57 / .48	16.1 / 13.6	.69 / .59	20.0 / 16.7	.77 / .66	21.8 / 18.7
5	.5	.29 / .25	6.3 / 5.3	.43 / .37	10.4 / 8.8	.66 / .53	17.3 / 13.9	.69 / .57	18.0 / 15.0	.34 / .27	7.6 / 6.0	.47 / .38	11.5 / 9.6	.63 / .52	16.3 / 13.7	.71 / .59	19.1 / 15.7
10	1.0	.14 / .11		.29 / .24	5.2 / 4.0	.55 / .44	13.0 / 10.4	.57 / .48	13.1 / 11.3	.18 / .14		.33 / .29	6.3 / 5.7	.51 / .44	12.4 / 10.4	.63 / .51	15.3 / 11.9
15	1.5			.17 / .13		.45 / .36	9.1 / 7.5					.21 / .19	2.0 / 1.8	.43 / .36	8.8 / 7.4	.53 / .41	11.8 / 9.2
20	2.0			.05 / .03		.35 / .29	5.6 / 4.2					.10 / .09		.35 / .29	5.0 / 4.1	.44 / .35	8.7 / 6.3
25	3.0					.27 / .22						.02 / .01		.24 / .21		.37 / .28	
30						.18 / .13								.16 / .13		.29 / .21	
35																	
MAX. CONTINUOUS PRESSURE:		10 PSI	0.7 bar	20 PSI	1.4 bar	30 PSI	2.1 bar	10 PSI	0.7 bar	10 PSI	.7 bar	20 PSI	1.4 bar	20 PSI	1.4 bar	20 PSI	1.4 bar
MAX. INTERMITTENT PRESSURE:		10 PSI	0.7 bar	20 PSI	1.4 bar	30 PSI	2.1 bar	10 PSI	0.7 bar	10 PSI	.7 bar	25 PSI	1.7 bar	30 PSI	2.1 bar	30 PSI	2.1 bar
VACUUM:		Flow @ 115v/110v		Flow @ 115v/110v		Flow @ 115v/110v		Flow @ 115v/110v		Flow @ 230v/220v		Flow @ 230v/220v		Flow @ 230v/220v		Flow @ 230v/220v	
CFM @ IN. hg		LPM @ mbar (gauge)															
IN. hg	mbar (gauge)	CFM	LPM	CFM	LPM	CFM	LPM	CFM	LPM	CFM	LPM	CFM	LPM	CFM	LPM	CFM	LPM
0	0	.51 / .43	14.4 / 12.2	.65 / .56	18.4 / 15.9	.73 / .60	20.7 / 17.0	.85 / .75	24.1 / 21.2	.44 / .38	12.5 / 10.8	.57 / .48	16.1 / 13.6	.69 / .59	20.0 / 16.7	.77 / .66	21.8 / 18.7
5	-100	.34 / .28	11.6 / 10.0	.43 / .38	14.7 / 12.8	.55 / .46	17.7 / 14.6	.64 / .54	21.0 / 17.7	.32 / .26	10.5 / 8.8	.43 / .34	13.8 / 11.3	.55 / .46	17.2 / 15.0	.62 / .52	19.3 / 16.3
10	-200	.19 / .15	8.9 / 7.3	.27 / .24	11.4 / 10.0	.38 / .31	14.7 / 12.3	.44 / .37	17.1 / 14.4	.19 / .14	8.4 / 6.7	.27 / .21	11.4 / 9.0	.38 / .31	14.7 / 12.3	.44 / .37	16.6 / 14.0
15	-400	.05 / .03	4.0 / 3.0	.15 / .14	6.4 / 5.8	.23 / .17	9.2 / 7.3	.28 / .22	11.0 / 9.0	.05 / .03	4.0 / 2.8	.12 / .10	6.1 / 4.8	.22 / .17	9.1 / 7.3	.27 / .22	10.7 / 9.0
20	-600				2.4 / 2.4	.07 / .05	4.0 / 3.0						1.1 / 1.1	.07 / .05	4.0 / 3.0	.10 / .08	5.0 / 4.1
25	-800																
MAX. VACUUM:		16.7" hg	-565 mbar	19.5" hg	-660 mbar	22.7" hg	-769 mbar	23.2" hg	-786 mbar	17.5" hg	-593 mbar	19.9" hg	-674 mbar	22.5" hg	-762 mbar	23.8" hg	-806 mbar
MAX. AMBIENT TEMPERATURE:		104°F	40°C	104°F	40°C	104°F	40°C	104°F	40°C	104°F	40°C	104°F	40°C	104°F	40°C	104°F	40°C
MIN. AMBIENT TEMPERATURE:		50°F	10°C	50°F	10°C	50°F	10°C	50°F	10°C	50°F	10°C	50°F	10°C	50°F	10°C	50°F	10°C
MAX. RESTART PRESSURE:		0 PSI	0 bar	0 PSI	0 bar	0 PSI	0 bar	0 PSI	0 bar	0 PSI	0 bar	0 PSI	0 bar	0 PSI	0 bar	0 PSI	0 bar
MAX. RESTART VACUUM:		0" hg	0 mbar	0" hg	0 mbar	0" hg	0 mbar	0" hg	0 mbar	0" hg	0 mbar	0" hg	0 mbar	0" hg	0 mbar	0" hg	0 mbar
MOTOR VOLTAGE/FREQUENCY:		115/60/1-110/50/1		115/60/1-110/50/1		115/60/1-110/50/1		115/60/1-110/50/1		230/60/1-220/50/1		230/60/1-220/50/1		230/60/1-220/50/1		230/60/1-220/50/1	
HORSEPOWER:		1/20		1/20		1/20		1/20		1/20		1/20		1/20		1/20	
MOTOR TYPE:		Permanent Split Capacitor		Permanent Split Capacitor		Permanent Split Capacitor		Permanent Split Capacitor		Permanent Split Capacitor		Permanent Split Capacitor		Permanent Split Capacitor		Permanent Split Capacitor	
CURRENT AT RATED LOAD (AMPS):		.86 / 1.15		.93 / 1.22		1.05 / 1.48		1.14 / 1.55		.49 / .43		.53 / .51		.60 / .62		.65 / .65	
POWER AT RATED LOAD (WATTS):		70 / 79		77 / 93		90 / 118		99 / 126		93 / 84		102 / 99		119 / 125		132 / 133	
STARTING CURRENT (LOCKED ROTOR AMPS):		2.07 / 2.17		2.07 / 2.17		2.07 / 2.17		2.07 / 2.17		.83 / .93		.83 / .93		.83 / .93		.83 / .93	
INSULATION CLASS:		B		B		B		B		B		B		B		B	
MIN. FULL LOAD SPEED (RPM):		1755 / 1505		1535 / 1480		1720 / 1330		1675 / 1400		1760 / 1460		1750 / 1450		1695 / 1340		1620 / 1210	
THERMAL PROTECTOR:		Yes		Yes		Yes		Yes		Yes		Yes		Yes		Yes	
CAPACITOR VALUE:		5 mfd		5 mfd		5 mfd		5 mfd		5 mfd		5 mfd		5 mfd		5 mfd	
NET WEIGHT:		6 lb.s / 2.7 Kg		6 lbs. / 2.7 Kg		6 lbs. / 2.7 Kg		6 lbs. / 2.7 Kg		6 lbs. / 2.7 Kg		6 lbs. / 2.7 Kg		6 lbs. / 2.7 Kg		6 lbs. / 2.7 Kg	

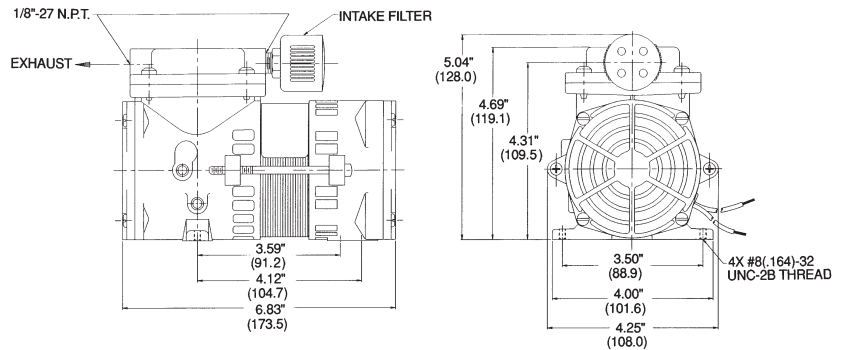


107 SERIES (DC) PERFORMANCE DATA:

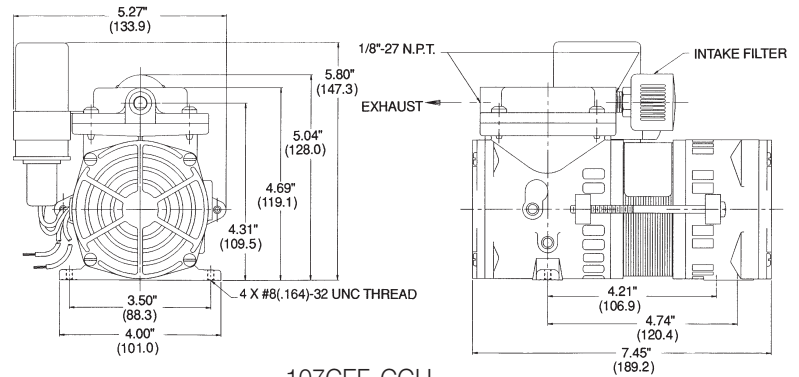
		STANDARD			
MODEL NUMBER:		107CDC20		107CDC/C20	
HEAD CONFIGURATION:		Pressure/Vacuum		Pressure/Vacuum	
STROKE:		.200 Inches		.200 Inches	
PRESSURE:		Flow @ 12v		Flow @ 12v	
CFM @ PSI		LPM @ bar			
PSI	bar	CFM	LPM	CFM	LPM
0	0	1.40	39.6	1.40	39.6
5	.5	1.34	35.1	1.34	35.1
10	1.0	1.12	27.1	1.12	27.1
15	1.5	.94	20.2	.94	20.1
20	2.0	.77	14.5	.77	
25	3.0	.61	6.2		
30		.49			
35		.39			
MAX. CONTINUOUS PRESSURE:		35 PSI	2.4 bar	20 PSI	1.4 bar
MAX. INTERMITTENT PRESSURE:		35 PSI	2.4 bar	20 PSI	1.4 bar
VACUUM:		Flow @ 12v		Flow @ 12v	
CFM @ IN. hg		LPM @ mbar (gauge)			
IN. hg	mbar (gauge)	CFM	LPM	CFM	LPM
0	0	1.40	39.6	1.40	39.6
5	-100	1.09	34.4	1.09	34.4
10	-200	.80	29.3	.80	29.3
15	-400	.48	19.3	.48	19.3
20	-600		8.6		8.6
25					
MAX. VACUUM:		22.9" hg	-775 mbar	22.9" hg	-775 mbar
MAX. AMBIENT TEMPERATURE:		104°F	40°C	104°F	40°C
MIN. AMBIENT TEMPERATURE:		50°F	10°C	50°F	10°C
MAX. RESTART PRESSURE:		15 PSI	1.0 bar	15 PSI	1.0 bar
MAX. RESTART VACUUM:		22.9" hg	-775 mbar	22.9" hg	-775 mbar
MOTOR VOLTAGE/FREQUENCY:		12v DC		12v DC	
HORSEPOWER:		1/10		1/10	
MOTOR TYPE:		Permanent Magnet		Permanent Magnet	
CURRENT AT RATED LOAD (AMPS):		8.5		8.5	
POWER AT RATED LOAD (WATTS):					
STARTING CURRENT (LOCKED ROTOR AMPS):		40.0		40.0	
INSULATION CLASS:		A		A	
MIN. FULL LOAD SPEED (RPM):		2970		2970	
THERMAL PROTECTOR:		No		No	
CAPACITOR VALUE:					
NET WEIGHT:		4.5 lbs.	2.0 Kg	4.7 lbs.	2.1 Kg

DIMENSIONS:

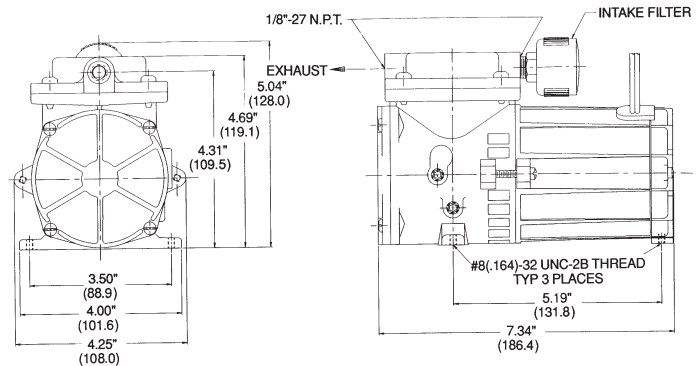
Millimeters are in ()



107CAB, CCD

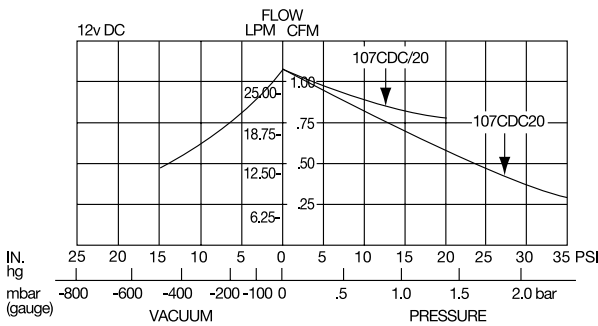


107CEF, CGH



107CDC & 107CDC/C

NOTE: 107CDC/C has closed motor vents



The information presented in this material is based on technical data and test results of nominal units. It is believed to be accurate and reliable and is offered as an aid to help in the selection of Thomas products. It is the responsibility of the user to determine the suitability of the product for his intended use and the user assumes all risk and liability whatsoever in connection therewith. Thomas Industries does not warrant, guarantee or assume any obligation or liability in connection with this information.

Note: Models pictured are representative of the series and do not represent a specific model number. Consult factory for detailed physical description.

THOMAS
PUMPS & COMPRESSORS

1419 Illinois Avenue, P.O. Box 29
Sheboygan, WI 53082-0029 USA
(920) 457-4891 Fax (920) 451-4276
Internet: <http://www.thomaspumps.com>