

WOB-L™



# 2668/2688 SERIES

## MODELS

### Standard models

2668CE22

2668CE44

2668CHI22

2668CHI44

2688CE22

2688CE44

2688CHI22

2688CHI44

*Other models based  
on availability and  
minimum purchase.*

2668CE32

2668CE40

2668CHI32

2668CHI40

2668CS44

2688CE32

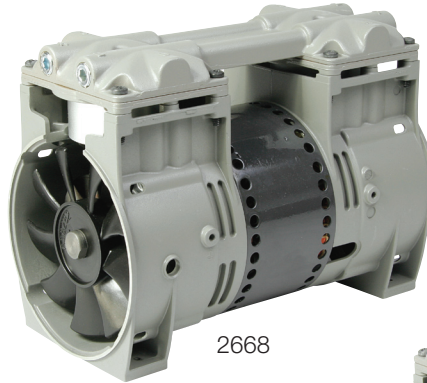
2688CE40

2688CHI32

2688CHI40

2688CS44

**TRIGON**®



2668



2688

## FEATURES

- Head design allows easily replaced piston seal
- Oil-less, non-lube piston and cylinder
- Permanently lubricated bearings
- Stainless steel valves
- Lightweight die cast aluminum components
- Long-life, high performance piston seal
- Thin wall, hard-coated aluminum cylinder for maximum heat transfer
- Twin fans provide cooling air through and around motor and cylinders
- Dual intake/exhaust manifold system for easy piping
- Balanced for smooth, low vibration operation
- Field service capability
- Inlet filter
- Capacitor
- All wetted aluminum parts treated for corrosion protection from moisture
- Patented one piece head for fewer parts and reduced leak paths
- UL Recognized motor and thermal protector, 115v/60Hz models
- CE/TUV approved, 220-240/50Hz models  
(Consult factory for non-standard models)
- Kit options: Guards/Capacitor cover/Cords

Consult factory for custom applications

ISO 9001  
CERTIFIED

**THOMAS**  
A Gardner Denver Product

# 2668 & 2688 Series Performance Data

MODEL NUMBERS	Standard				Standard				
	2668CE22 2688CE22		2668CE32 2688CE32		2668CE40 2688CE40		2668CE44 2688CE44		
<b>HEAD CONFIGURATION</b>	Pressure/Vacuum		Pressure/Vacuum		Pressure/Vacuum		Pressure/Vacuum		
<b>STROKE</b>	.220 Inches		.320 Inches		.400 Inches		.440 Inches		
<b>PRESSURE</b>	Flow @ 115v		Flow @ 115v		Flow @ 115v		Flow @ 115v		
CFM @ PSI	LPM @ bar								
PSI	bar	CFM	LPM	CFM	LPM	CFM	LPM	CFM	LPM
0	0	1.68	47.6	2.40	68.0	2.95	83.5	3.15	89.2
10	.5	1.55	45.0	2.25	64.9	2.75	79.4	2.93	84.7
20	1.0	1.40	42.0	2.05	61.2	2.50	74.7	2.72	80.3
30	1.5	1.25	38.9	1.85	57.1	2.30	69.8		76.0
40	2.0	1.10	35.9	1.70	53.0		65.7		71.7
50	3.0	.95	29.7	1.50	46.1				
60	5.0	.80	19.1						
70	7.0	.70	10.9						
80		.60							
90		.50							
100		.40							
<b>MAX. CONTINUOUS PRESSURE</b>	100 PSI	6.9 bar	50 PSI	3.4 bar	30 PSI	2.1 bar	25 PSI	1.7 bar	
<b>MAX. INTERMITTENT PRESSURE</b>	100 PSI	6.9 bar	50 PSI	3.4 bar	30 PSI	2.1 bar	25 PSI	1.7 bar	
<b>VACUUM</b>	Flow @ 115 v		Flow @ 115 v		Flow @ 115 v		Flow @ 115 v		
CFM @ IN. hg	LPM @ mbar (gauge)								
IN. hg	mbar (gauge)	CFM	LPM	CFM	LPM	CFM	LPM	CFM	LPM
0	0	1.68	47.6	2.40	68.0	2.95	83.5	3.15	89.2
5	-100	1.20	39.6	1.60	54.6	2.05	68.5	2.30	75.0
10	-200	.93	32.6	1.20	43.3	1.50	55.2	1.60	61.5
15	-400	.63	23.3	.89	30.8	1.00	37.3	1.10	40.2
20	-600	.33	13.2	.49	19.0	.59	22.0	.64	24.1
25	-800		3.2		5.7	.16	7.9	.18	8.7
<b>MAX. VACUUM</b>	26.2" hg	-887 mbar	27.0" hg	-914 mbar	27.4" hg	-928 mbar	27.6" hg	-935 mbar	
<b>MAX. AMBIENT AIR TEMP.</b>	104° F	40°C	104° F	40°C	104° F	40°C	104° F	40°C	
<b>MIN. AMBIENT START TEMP.</b>	50° F	10°C	50° F	10°C	50° F	10°C	50° F	10°C	
<b>MAX. RESTART PRESSURE</b>	0 PSI	0 bar	0 PSI	0 bar	0 PSI	0 bar	0 PSI	0 bar	
<b>MAX. RESTART VACUUM</b>	0"hg	0mbar	0"hg	0mbar	0"hg	0mbar	0"hg	0mbar	
<b>MOTOR VOLTAGE/FREQUENCY</b>	115/60/1		115/60/1		115/60/1		115/60/1		
<b>MOTOR TYPE</b>	Permanent Split Cap.		Permanent Split Cap.		Permanent Split Cap.		Permanent Split Cap.		
<b>CURRENT AT RATED LOAD (AMPS)</b>	3.3		3.9		4.5		4.7		
<b>POWER AT RATED LOAD (WATTS)</b>	250		370		440		470		
<b>STARTING CURRENT (LOCKED ROTOR, AMPS)</b>	12.8		12.8		12.8		12.8		
<b>CAPACITOR VALUE</b>	7 mfd		7 mfd		7 mfd		7 mfd		
<b>MIN. FULL LOAD SPEED (RPM)</b>	1740		1670		1630		1600		
<b>THERMAL PROTECTOR</b>	Yes		Yes		Yes		Yes		
<b>NET WEIGHT</b>	14.3 lbs.	6.5 kg	15.3 lbs.	6.9 kg	16.1 lbs.	7.3 kg	16.1 lbs.	7.3 kg	

The information presented in this material is based on technical data and test results of nominal units. It is believed to be accurate and reliable and is offered as an aid to help in the selection of Thomas products. It is the responsibility of the user to determine the suitability of the product for his intended use and the user assumes all risk and liability whatsoever in connection therewith. Thomas Industries does not warrant, guarantee or assume any obligation or liability in connection with this information.

**NOTE:** Models pictured are representative of the series and do not represent a specific model number. Consult factory for detailed physical description.

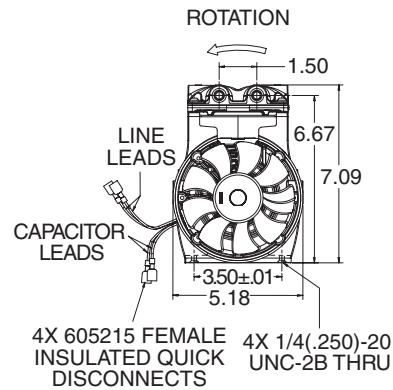
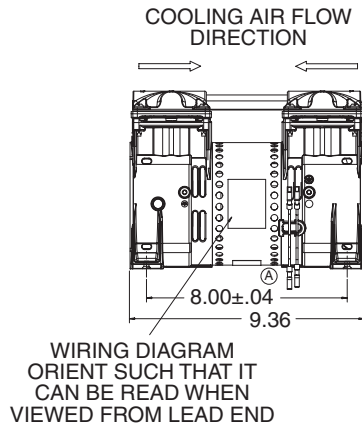
**NOTE:** 2668 models do not have fan guard or cord standard, these are options. 2688 models include fan guard and cord standard.

# 2668 & 2688 Series Performance Data

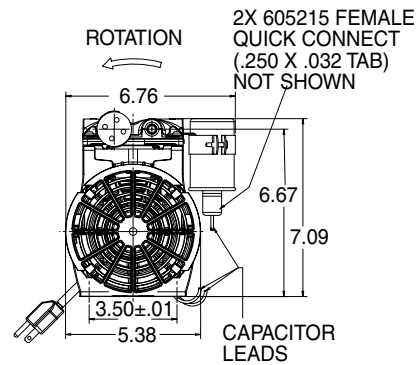
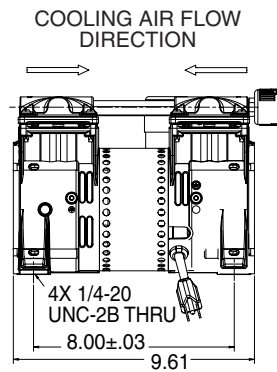
		Standard				Standard					
MODEL NUMBERS		2668CHI22 2688CHI22		2668CHI32 2688CHI32		2668CHI40 2688CHI40		2668CHI44 2688CHI44		2668CS44 2688CS44	
<b>HEAD CONFIGURATION</b>		Pressure/Vacuum		Pressure/Vacuum		Pressure/Vacuum		Pressure/Vacuum		Pressure/Vacuum	
<b>STROKE</b>		.220 Inches		.320 Inches		.400 Inches		.440 Inches		.440 Inches	
<b>PRESSURE</b>		Flow @ 220/240v		Flow @ 220/240v		Flow @ 220/240v		Flow @ 220/240v		Flow @ 100v-50/60 Hz	
CFM @ PSI	LPM @ bar										
PSI	bar	CFM	LPM	CFM	LPM	CFM	LPM	CFM	LPM	CFM	LPM
0	0	1.40	39.7	2.00	56.6	2.50	70.8	2.70	76.5	2.70 / 3.15	76.5 / 89.2
10	.5	1.25	36.6	1.80	52.5	2.40	68.7	2.50	72.3	2.50 / 2.93	72.3 / 84.7
20	1.0	1.13	33.9	1.60	48.4	2.30	66.7	2.25	67.6	2.25 / 2.72	67.6 / 80.3
30	1.5	1.10	31.8	1.42	44.4	2.05	63.9		62.5		62.5 / 76.0
40	2.0	.85	31.2	1.25	40.7		58.8		57.3		57.3 / 71.7
50	3.0	.71	22.7	1.10	34.0						
60	5.0	.60	13.3								
70	7.0	.50	5.9								
80		.38									
90		.30									
100		.22									
<b>MAX. CONTINUOUS PRESSURE</b>		100 PSI	6.9 bar	50 PSI	3.4 bar	30 PSI	2.1 bar	25 PSI	1.7 bar	25 PSI	1.7 bar
<b>MAX. INTERMITTENT PRESSURE</b>		100 PSI	6.9 bar	50 PSI	3.4 bar	30 PSI	2.1 bar	25 PSI	1.7 bar	25 PSI	1.7 bar
<b>VACUUM</b>		Flow @ 220/240 v		Flow @ 220/240 v		Flow @ 220/240 v		Flow @ 220/240 v		Flow @ 100v-50/60 Hz	
CFM @ IN. hg	LPM @ mbar (gauge)										
IN. hg	mbar (gauge)	CFM	LPM	CFM	LPM	CFM	LPM	CFM	LPM	CFM	LPM
0	0	1.40	39.7	2.00	56.6	2.50	70.8	2.70	76.5	2.70 / 3.15	76.5 / 89.2
5	-100	1.00	33.0	1.40	46.6	1.70	57.4	2.00	64.7	2.00 / 2.30	64.7 / 75.0
10	-200	.80	27.3	1.10	38.1	1.30	46.1	1.40	53.6	1.40 / 1.60	53.6 / 61.5
15	-400	.39	18.5	.74	27.5	.91	32.8	.98	35.3	.98 / 1.10	35.3 / 40.2
20	-600	.29	9.5	.43	16.2	.52	19.8	.57	21.4	.57 / 1.10	21.4 / 31.1
25	-800		6.2		5.8		6.7		7.7	/ .18	7.7 / 12.3
<b>MAX. VACUUM</b>		26.3" hg	-891 mbar	26.9" hg	-911 mbar	27.4"hg	-928 mbar	27.6"hg	-935 mbar	27.6"hg	-935 mbar
<b>MAX. AMBIENT AIR TEMP.</b>		104° F	40°C	104° F	40°C	104° F	40°C	104° F	40°C	104° F	40°C
<b>MIN. AMBIENT START TEMP.</b>		50° F	10°C	50° F	10°C	50° F	10°C	50° F	10°C	50° F	10°C
<b>MAX. RESTART PRESSURE</b>		0 PSI	0 bar	0 PSI	0 bar	0 PSI	0 bar	0 PSI	0 bar	0 PSI	0 bar
<b>MAX. RESTART VACUUM</b>		0"hg	0mbar	0"hg	0mbar	0"hg	0mbar	0"hg	0mbar	0"hg	0mbar
<b>MOTOR VOLTAGE/FREQUENCY</b>		220-240/50/1		220-240/50/1		220-240/50/1		220-240/50/1		100-50/60/1	
<b>MOTOR TYPE</b>		Permanent Split Cap.		Permanent Split Cap.		Permanent Split Cap.		Permanent Split Cap.		Permanent Split Cap.	
<b>CURRENT AT RATED LOAD (AMPS)</b>		1.2		1.4		1.5		1.6		3.6 / 3.7	
<b>POWER AT RATED LOAD (WATTS)</b>		210		270		315		325		295 / 345	
<b>STARTING CURRENT (LOCKED ROTOR, AMPS)</b>		3.6		3.8		3.8		3.8		12.0 / 11.0	
<b>CAPACITOR VALUE</b>		7 mfd		7 mfd		7 mfd		7 mfd		15 mfd	
<b>MIN. FULL LOAD SPEED (RPM)</b>		1410		1350		1300		1290		1385 / 1675	
<b>THERMAL PROTECTOR</b>		Yes		Yes		Yes		Yes		Yes	
<b>NET WEIGHT</b>		14.3 lbs.	6.5 kg	15.3 lbs.	6.9 kg	16.1 lbs.	7.3 kg	16.1 lbs.	7.3 kg	16.1 lbs.	7.3 kg

# Dimensions

**2668**



**2688**



MODEL	A
2668	#8-32 UNC-2B
2688	THREAD THRU
2660/2669	1/4-20 UNC-2B
2680/2689	THREAD THRU

Patent No. 6056521

**THOMAS**  
A Gardner Denver Product

**Thomas Products Division**  
1419 Illinois Ave  
Sheboygan, WI 53082 USA  
Phone: (920) 457-4891  
Fax: (920) 451-4276  
www.rtpumps.com/she