

## FUTURES

- > Oil-less
- > Long lifetime
- > Compact design
- > Low sound level
- > Pulsation free
- > Low vibration

## TYPICAL APPLICATIONS

- > Vacuum lifting
- > Vacuum holding
- > Automation/Pick and place
- > Medical
- > Printing
- > Gas analysis/sampling
- > Aeration

## BASE MODEL

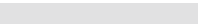
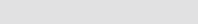

- VTE 3
- DTE 3
- VTE 6
- DTE 6
- VTE 8
- DTE 8
- VTE 10
- DTE 10



Rotary

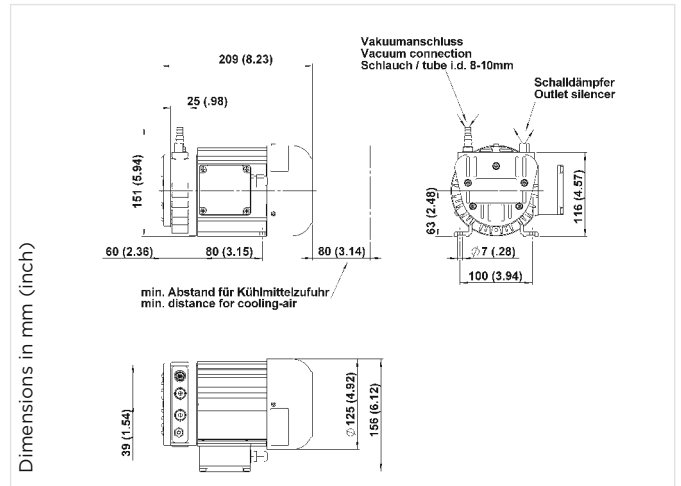
# Rotary Vane Pumps

## PRODUCT OVERVIEW

Model	Flow	Max. vacuum	Max. pressure	Page
 <b>VTE 3</b>	3.5/4.2 m <sup>3</sup> /hr 	<b>85%</b>	-	<b>3</b>
 <b>DTE 3</b>	3.5/4.2 m <sup>3</sup> /hr 	-	<b>1.0 bar</b>	<b>4</b>
 <b>VTE 6</b>	6.0/7.2 m <sup>3</sup> /hr 	<b>85%</b>	-	<b>5</b>
 <b>DTE 6</b>	6.0/7.2 m <sup>3</sup> /hr 	-	<b>1.0 bar</b>	<b>6</b>
 <b>VTE 8</b>	8.0/9.6 m <sup>3</sup> /hr 	<b>85%</b>	-	<b>7</b>
 <b>DTE 8</b>	8.0/9.6 m <sup>3</sup> /hr 	-	<b>1.0 bar</b>	<b>8</b>
 <b>VTE 10</b>	10.0/12.0 m <sup>3</sup> /hr 	<b>85%</b>	-	<b>9</b>
 <b>DTE 10</b>	10.0/12.0 m <sup>3</sup> /hr 	-	<b>1.0 bar</b>	<b>10</b>

# Rotary Vane Pump VTE 3

Flow	3.5/4.2 m <sup>3</sup> /h
Max. vacuum	85%



## PNEUMATIC DATA

Description	VTE 3 230/50/60	VTE 3 115/50/60	VTE 3 Three-phase 50/60	VTE 3 24 DC
Part number	25130110	25130111	25130113	25130172
Max. flow	3.5/4.2 m <sup>3</sup> /h	3.5/4.2 m <sup>3</sup> /h	3.5/4.2 m <sup>3</sup> /h	3.5 m <sup>3</sup> /h
Max. intermittent vacuum	85%	85%	85%	85%
Max. continuous vacuum	85%	85%	85%	85%

## ELECTRICAL DATA

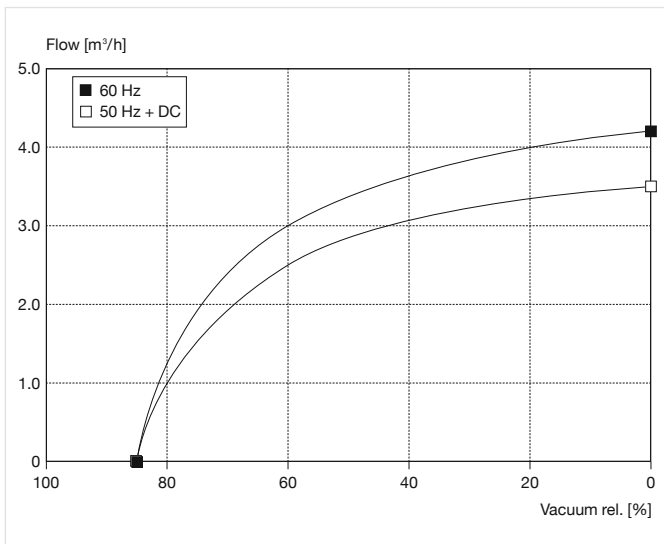
Motor type	Capacitor	Capacitor	Three-phase	Permanent magnet
Nominal voltage	230 V ±10% 50/60 Hz	100 V ±10% 50 Hz	200-255/346-440 V 50 Hz	24 V DC
		100-115 V ±10% 60 Hz	200-277/346-480 V 60 Hz	24 V DC
Nominal speed	2750/3250 rpm	2750/3300 rpm	2860/3360 rpm	2850 rpm
Motor rating	0.120/0.145 kW	0.120/0.145 kW	0.120/0.145 kW	0.120 kW
Current consumption	1.3/1.4 A	2.7/2.9 A	1.12/0.71/1.02/0.62 A	10.5 A
Motor insulation class	F	F	F	F
Protection class	IP54	IP54	IP54	IP55
Thermal protector	yes	yes	no	no
UL recognized motor	no	yes	no	no

## GENERAL DATA

Ambient temperature	0 to 50 °C	0 to 50 °C	0 to 50 °C	0 to 50 °C
Weight	6.5 kg	6.5 kg	6.5 kg	7.9 kg
Direction of rotation	ccw	ccw	ccw	ccw
Average noise level	55/57 dB (A)	55/57 dB (A)	55/57 dB (A)	62 dB (A)

All listed flow values relate to air at the pump inlet condition (i.e. expanded under vacuum).  
Further information (general usage, installation, servicing etc.) is available in the operating instructions manual.  
Further UL recognized motor on request.

## FLOW CURVES



## SUPPLIED AS STANDARD

- Tube connector G 1/8 (Tube I.D. 8 - 10 mm)
- Outlet silencer G 1/8

## ACCESSORIES

- Vacuum regulator ZRV 6 G 1/8 (part number 31430)
- Non-return valve ZRK 6 G 1/8 (part number 61802)

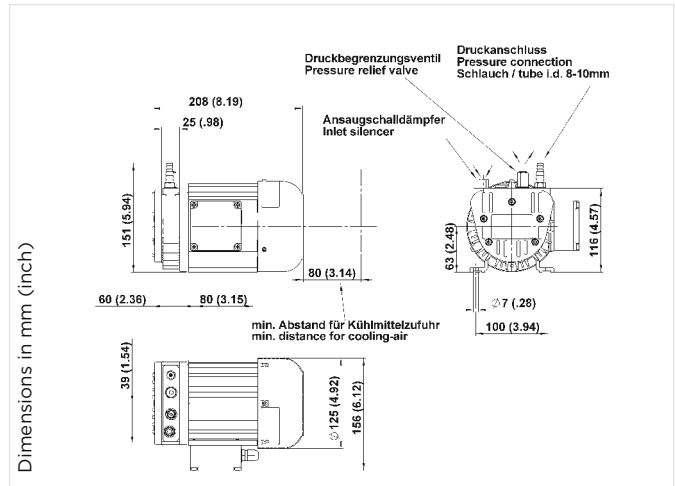
## SERVICE PARTS

- Service kit (part number 25130104) consists of:
- 4 x Vanes
  - 1 x Filter cartridge
  - 2 x Filter seal (ring)
  - 1 x Filter seal
  - 3 x Gasket (copper)
  - 1 x O-ring (inside silencer)

2513... Stock programme

# Rotary Vane Pump DTE 3

<b>Flow</b>	<b>3.5/4.2 m<sup>3</sup>/h</b>
<b>Max. pressure</b>	<b>1.0 bar</b>



## PNEUMATIC DATA

Description	DTE 3 230/50/60	DTE 3 115/50/60	DTE 3 Three-phase 50/60	DTE 3 24 DC
Part number	<b>25140210</b>	<b>25140211</b>	<b>25140213</b>	25140272
Max. flow	3.5/4.2 m <sup>3</sup> /h	3.5/4.2 m <sup>3</sup> /h	3.5/4.2 m <sup>3</sup> /h	3.5 m <sup>3</sup> /h
Max. intermittent pressure	1.0 bar	0.8 bar	1.0 bar	1.0 bar
Max. continuous pressure	1.0 bar	0.8 bar	1.0 bar	1.0 bar

## ELECTRICAL DATA

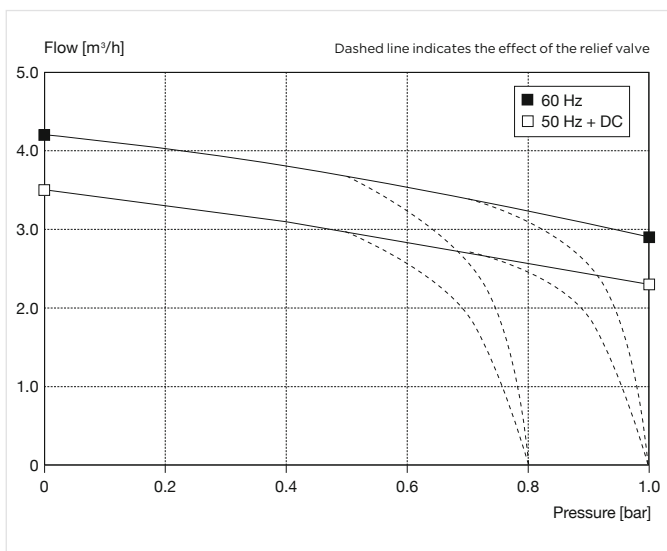
Motor type	Capacitor	Capacitor	Three-phase	Permanent magnet
Nominal voltage	230 V ±10% 50/60 Hz	100 V ±10% 50 Hz 100-115 V ±10% 60 Hz	200-255/346-440 V 50 Hz 200-277/346-480 V 60 Hz	24 V DC
Nominal speed	2750/3250 rpm	2750/3300 rpm	2860/3360 rpm	2850 rpm
Motor rating	0.120/0.145 kW	0.120/0.145 kW	0.120/0.145 kW	0.120 kW
Current consumption	1.3/1.4 A	2.7/2.9 A	1.12/0.71/1.02/0.62 A	10.5 A
Motor insulation class	F	F	F	F
Protection class	IP54	IP54	IP54	IP55
Thermal protector	yes	yes	no	no
UL recognized motor	no	yes	no	no

## GENERAL DATA

Ambient temperature	0 to 50 °C	0 to 50 °C	0 to 50 °C	0 to 50 °C
Weight	6.5 kg	6.5 kg	6.5 kg	7.9 kg
Direction of rotation	ccw	ccw	ccw	ccw
Average noise level	57/58 dB (A)	57/58 dB (A)	57/58 dB (A)	64 dB (A)

All listed flow values relate to air at standard atmospheric conditions.  
Further information (general usage, installation, servicing etc.) is available in the operating instructions manual.  
Further UL recognized motor on request.

## FLOW CURVES



## SUPPLIED AS STANDARD

- Tube connector G 1/8 (Tube I.D. 8 - 12 mm)
- Inlet silencer G 1/8
- Pressure relief valve (0.8/1.0 bar) G 1/8

## ACCESSORIES

- Pressure regulator ZRD 6 G 1/8 (part number 31429)
- Non-return valve ZRK 6 G 1/8 (part number 61802)

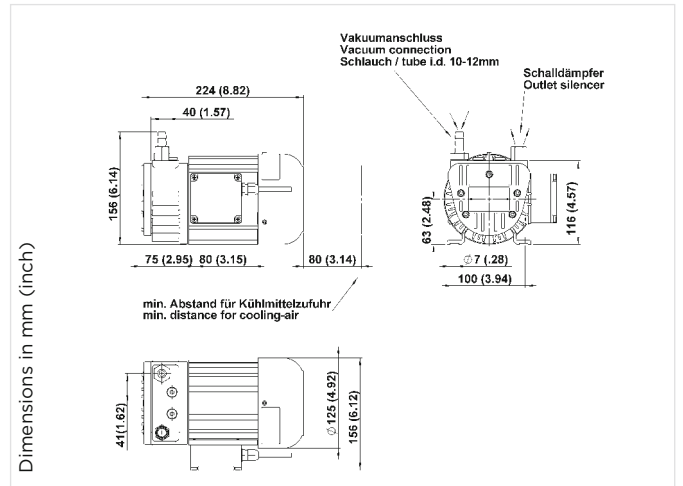
## SERVICE PARTS

- Service kit (part number 25130104) consists of:
- 4 x Vanes
  - 1 x Filter cartridge
  - 2 x Filter seal (ring)
  - 1 x Filter seal
  - 3 x Gasket (copper)
  - 1 x O-ring (only for VTE needed)

**2514...** Stock programme

# Rotary Vane Pump VTE 6

Flow	6.0/7.2 m <sup>3</sup> /h
Max. vacuum	85%



## PNEUMATIC DATA

Description	VTE 6 230/50/60	VTE 6 115/50/60	VTE 6 Three-phase 50/60	VTE 6 24 DC
Part number	<b>25160112</b>	<b>25160120</b>	<b>25160114</b>	25160170
Max. flow	6.0/7.2 m <sup>3</sup> /h	6.0/7.2 m <sup>3</sup> /h	6.0/7.2 m <sup>3</sup> /h	6.0 m <sup>3</sup> /h
Max. intermittent vacuum	85%	85%	85%	85%
Max. continuous vacuum	85%	85%	85%	85%

## ELECTRICAL DATA

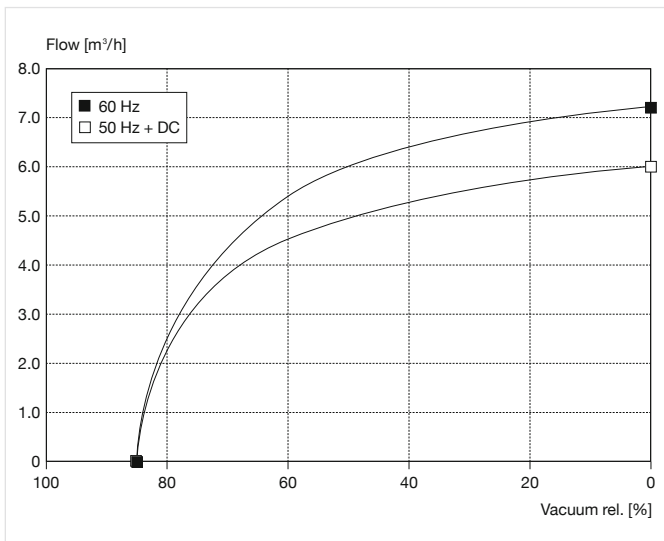
Motor type	Capacitor	Capacitor	Three-phase	Permanent magnet
Nominal voltage	230 V ±10% 50/60 Hz	100 V ±10% 50 Hz	200-255/346-440 V 50 Hz	24 V DC
		100-115 V ±10% 60 Hz	200-277/346-480 V 60 Hz	
Nominal speed	2700/3150 rpm	2700/3250 rpm	2800/3320 rpm	3250 rpm
Motor rating	0.25/0.30 kW	0.25/0.30 kW	0.25/0.30 kW	0.25 kW
Current consumption	2.3/2.5 A	5.0/5.2 A	1.4/0.81/1.6/0.9 A	18.0 A
Motor insulation class	F	B	B	F
Protection class	IP54	IP54	IP54	IP55
Thermal protector	yes	yes	no	yes
UL recognized motor	no	yes	no	no

## GENERAL DATA

Ambient temperature	0 to 50 °C	0 to 50 °C	0 to 50 °C	0 to 50 °C
Weight	7.5 kg	7.5 kg	7.5 kg	8.5 kg
Direction of rotation	ccw	ccw	ccw	ccw
Average noise level	57/59 dB (A)	57/59 dB (A)	57/59 dB (A)	64 dB (A)

All listed flow values relate to air at the pump inlet condition (i.e. expanded under vacuum).  
 Further information (general usage, installation, servicing etc.) is available in the operating instructions manual.  
 Further UL recognized motor on request.

## FLOW CURVES



## SUPPLIED AS STANDARD

- Tube connector G 3/8 (Tube I.D. 10 - 12 mm)
- Outlet silencer G 3/8

## ACCESSORIES

- Vacuum regulator ZRV 6 G 1/8 (part number 31430)
- Non-return valve ZRK 12 G 3/8 (part number 61803)

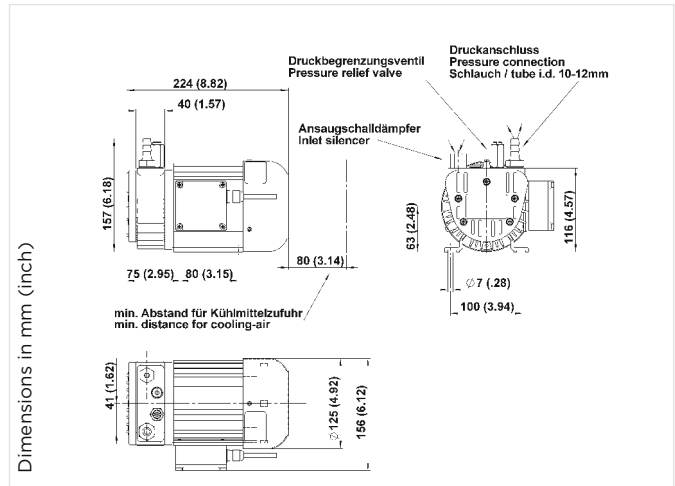
## SERVICE PARTS

- Service kit (part number 25160104) consists of:
- 4 x Vanes
  - 1 x Filter cartridge
  - 2 x Filter seal (ring)
  - 1 x Filter seal
  - 3 x Gasket (copper)
  - 1 x O-ring (inside silencer)

**2516...** Stock programme

# Rotary Vane Pump DTE 6

<b>Flow</b>	<b>6.0/7.2 m<sup>3</sup>/h</b>
<b>Max. pressure</b>	<b>1.0 bar</b>



## PNEUMATIC DATA

Description	DTE 6 230/50/60	DTE 6 115/50/60	DTE 6 Three-phase 50/60	DTE 6 24 DC
Part number	<b>25170212</b>	<b>25170220</b>	<b>25170214</b>	25170270
Max. flow	6.0/7.2 m <sup>3</sup> /h	6.0/7.2 m <sup>3</sup> /h	6.0/7.2 m <sup>3</sup> /h	6.0 m <sup>3</sup> /h
Max. intermittent pressure	1.0 bar	1.0 bar	1.0 bar	1.0 bar
Max. continuous pressure	1.0 bar	1.0 bar	1.0 bar	1.0 bar

## ELECTRICAL DATA

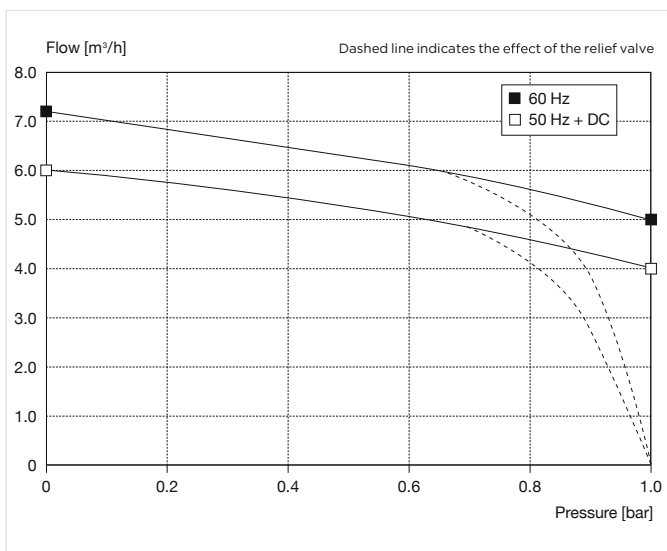
Motor type	Capacitor	Capacitor	Three-phase	Permanent magnet
Nominal voltage	230 V ±10% 50/60 Hz	100 V ±10% 50 Hz 100-115 V ±10% 60 Hz	200-255/346-440 V 50 Hz 200-277/346-480 V 60 Hz	24 V DC
Nominal speed	2700/3150 rpm	2700/3250 rpm	2800/3320 rpm	3250 rpm
Motor rating	0.25/0.30 kW	0.25/0.30 kW	0.25/0.30 kW	0.25 kW
Current consumption	2.3/2.5 A	5.0/5.2 A	1.4/0.81/1.6/0.9 A	18.0 A
Motor insulation class	F	B	B	F
Protection class	IP54	IP54	IP54	IP55
Thermal protector	yes	yes	no	yes
UL recognized motor	no	yes	no	no

## GENERAL DATA

Ambient temperature	0 to 50 °C	0 to 50 °C	0 to 50 °C	0 to 50 °C
Weight	7.5 kg	7.5 kg	7.5 kg	8.5 kg
Direction of rotation	ccw	ccw	ccw	ccw
Average noise level	60/61 dB (A)	60/61 dB (A)	60/61 dB (A)	66 dB (A)

All listed flow values relate to air at standard atmospheric conditions.  
 Further information (general usage, installation, servicing etc.) is available in the operating instructions manual.  
 Further UL recognized motor on request.

## FLOW CURVES



## SUPPLIED AS STANDARD

- Tube connector G 3/8 (Tube I.D. 10 - 12 mm)
- Inlet silencer G 3/8
- Pressure relief valve (1.0 bar) G 1/8

## ACCESSORIES

- Pressure regulator ZRD 6 G 1/8 (part number 31429)
- Non-return valve ZRK 12 G 3/8 (part number 61803)

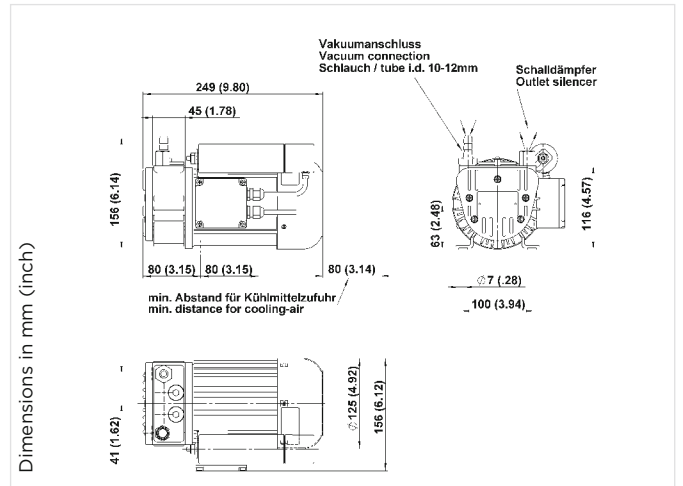
## SERVICE PARTS

- Service kit (part number 25160104) consists of:
- 4 x Vanes
  - 1 x Filter cartridge
  - 2 x Filter seal (ring)
  - 1 x Filter seal
  - 3 x Gasket (copper)
  - 1 x O-ring (only for VTE needed)

**2517...** Stock programme

# Rotary Vane Pump VTE 8

<b>Flow</b>	<b>8.0/9.6 m<sup>3</sup>/h</b>
<b>Max. vacuum</b>	<b>85%</b>



## PNEUMATIC DATA

Description	VTE 8 230/50/60	VTE 8 115/50/60	VTE 8 Three-phase 50/60	VTE 8 24 DC
Part number	<b>23630125</b>	<b>23630126</b>	<b>23630127</b>	23630173
Max. flow	8.0/9.6 m <sup>3</sup> /h	8.0/9.6 m <sup>3</sup> /h	8.0/9.6 m <sup>3</sup> /h	8.0 m <sup>3</sup> /h
Max. intermittent vacuum	85%	85%	85%	85%
Max. continuous vacuum	85%	85%	85%	85%

## ELECTRICAL DATA

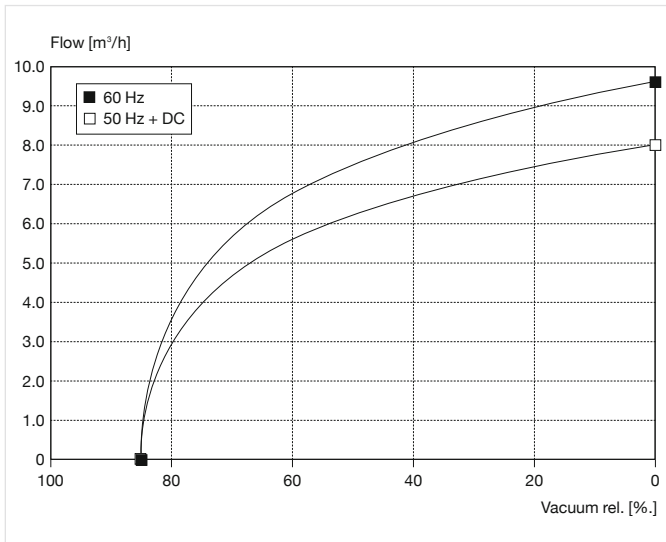
Motor type	Capacitor	Capacitor	Three-phase	Permanent magnet
Nominal voltage	230 V ±10% 50/60 Hz	100 V ±10% 50 Hz	200-255/346-440 V 50 Hz	24 V DC
		115 V ±10% 60 Hz	200-277/346-480 V 60 Hz	
Nominal speed	2700/3200 rpm	2750/3300 rpm	2850/3380 rpm	3300 rpm
Motor rating	0.35/0.42 kW	0.35/0.42 kW	0.37/0.44 kW	0.37 kW
Current consumption	3.9/3.4 A	9.0/8.4 A	2.77/1.60/2.25/1.30 A	21 A
Motor insulation class	F	F	F	F
Protection class	IP54	IP54	IP54	IP55
Thermal protector	yes	yes	no	no
UL recognized motor	no	yes	no	no

## GENERAL DATA

Ambient temperature	0 to 50 °C	0 to 50 °C	0 to 50 °C	0 to 50 °C
Weight	8.0 kg	8.0 kg	8.0 kg	9.2 kg
Direction of rotation	ccw	ccw	ccw	ccw
Average noise level	59/61 dB (A)	59/61 dB (A)	59/61 dB (A)	66 dB (A)

All listed flow values relate to air at the pump inlet condition (i.e. expanded under vacuum).  
 Further information (general usage, installation, servicing etc.) is available in the operating instructions manual.  
 Further UL recognized motor on request.

## FLOW CURVES



## SUPPLIED AS STANDARD

- Tube connector G 3/8 (Tube I.D. 10 – 12 mm)
- Outlet silencer G 3/8

## ACCESSORIES

- Vacuum regulator ZRV 12 G 3/8 (part number 31490)
- Non-return valve ZRK 12 G 3/8 (part number 61803)

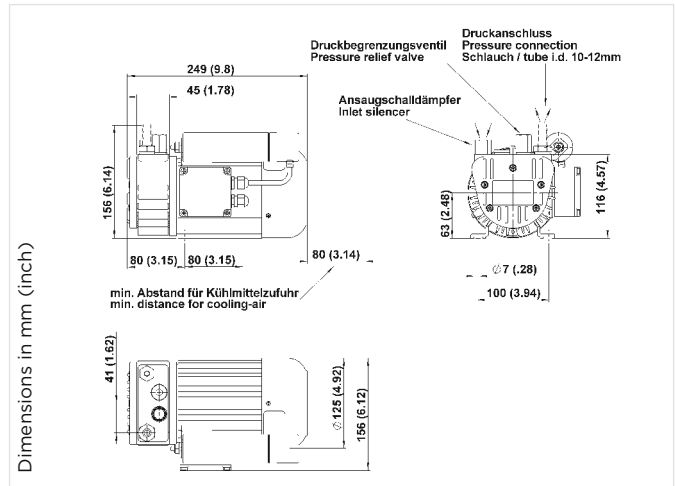
## SERVICE PARTS

- Service kit (part number 23630104) consists of:
- 4 x Vanes
  - 1 x Filter cartridge
  - 2 x Filter seal (ring)
  - 1 x Filter seal
  - 3 x Gasket (copper)
  - 1 x O-ring (inside silencer)

**2363...** Stock programme

# Rotary Vane Pump DTE 8

<b>Flow</b>	<b>8.0/9.6 m<sup>3</sup>/h</b>
<b>Max. pressure</b>	<b>1.0 bar</b>



## PNEUMATIC DATA

Description	DTE 8 230/50/60	DTE 8 115/50/60	DTE 8 Three-phase 50/60	DTE 8 24 DC
Part number	<b>23660225</b>	<b>23660226</b>	<b>23660227</b>	23660273
Max. flow	8.0/9.6 m <sup>3</sup> /h	8.0/9.6 m <sup>3</sup> /h	8.0/9.6 m <sup>3</sup> /h	8.0 m <sup>3</sup> /h
Max. intermittent pressure	0.8 bar	0.8 bar	1.0 bar	1.0 bar
Max. continuous pressure	0.8 bar	0.8 bar	1.0 bar	1.0 bar

## ELECTRICAL DATA

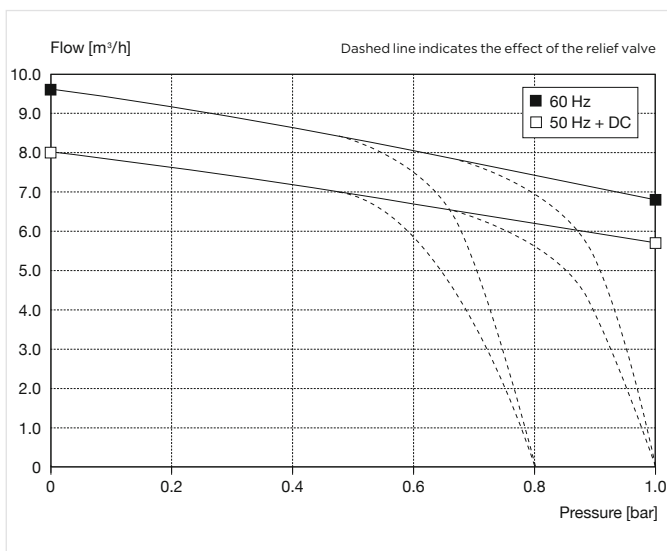
Motor type	Capacitor	Capacitor	Three-phase	Permanent magnet
Nominal voltage	230 V ±10% 50/60 Hz	100 V ±10% 50 Hz 115 V ±10% 60 Hz	200-255/346-440 V 50 Hz 200-277/346-480 V 60 Hz	24 V DC
Nominal speed	2700/3200 rpm	2750/3300 rpm	2850/3380 rpm	3300 rpm
Motor rating	0.35/0.42 kW	0.35/0.42 kW	0.37/0.44 kW	0.37 kW
Current consumption	3.9/3.4 A	9.0/8.4 A	2.77/1.60/2.25/1.30 A	21 A
Motor insulation class	F	F	F	F
Protection class	IP54	IP54	IP54	IP55
Thermal protector	yes	yes	no	no
UL recognized motor	no	yes	no	no

## GENERAL DATA

Ambient temperature	0 to 50 °C	0 to 50 °C	0 to 50 °C	0 to 50 °C
Weight	8.0 kg	8.0 kg	8.0 kg	9.2 kg
Direction of rotation	ccw	ccw	ccw	ccw
Average noise level	62/63 dB (A)	62/63 dB (A)	62/63 dB (A)	67 dB (A)

All listed flow values relate to air at standard atmospheric conditions.  
 Further information (general usage, installation, servicing etc.) is available in the operating instructions manual.  
 Further UL recognized motor on request.

## FLOW CURVES



## SUPPLIED AS STANDARD

- Tube connector G 3/8 (Tube I.D. 10 - 12 mm)
- Inlet silencer G 3/8
- Pressure relief valve (0.6/1.0 bar) G 3/8

## ACCESSORIES

- Pressure regulator ZRD 12 G 3/8 (part number 31431)
- Non-return valve ZRK 12 G 3/8 (part number 61803)

## SERVICE PARTS

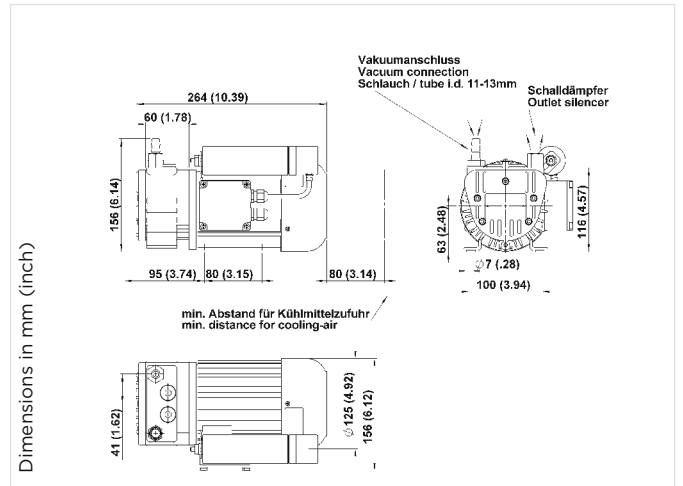
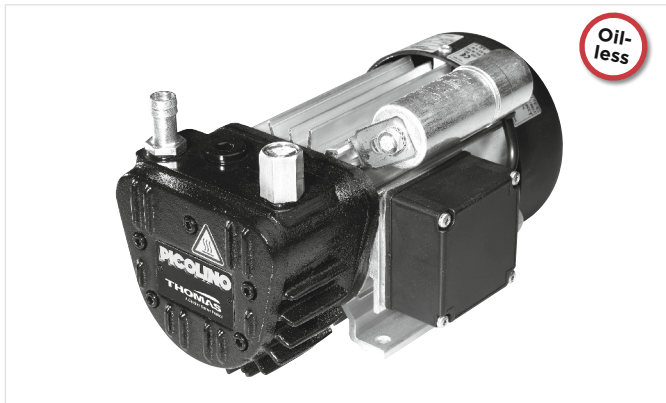
- Service kit (part number 23630104) consists of:
- 4 x Vanes
  - 1 x Filter cartridge
  - 2 x Filter seal (ring)
  - 1 x Filter seal
  - 3 x Gasket (copper)
  - 1 x O-ring (only for VTE needed)

**2366...** Stock programme



# Rotary Vane Pump VTE 10

<b>Flow</b>	<b>10/12 m<sup>3</sup>/h</b>
<b>Max. vacuum</b>	<b>85%</b>



## PNEUMATIC DATA

Description	VTE 10 230/50/60	VTE 10 115/50/60	VTE 10 Three-phase 50/60	VTE 10 24 DC
Part number	<b>27740125</b>	<b>27740126</b>	<b>27740127</b>	27740174
Max. flow	10/12 m <sup>3</sup> /h	10/12 m <sup>3</sup> /h	10/12 m <sup>3</sup> /h	10 m <sup>3</sup> /h
Max. intermittent vacuum	85%	85%	85%	85%
Max. continuous vacuum	85%	85%	85%	85%

## ELECTRICAL DATA

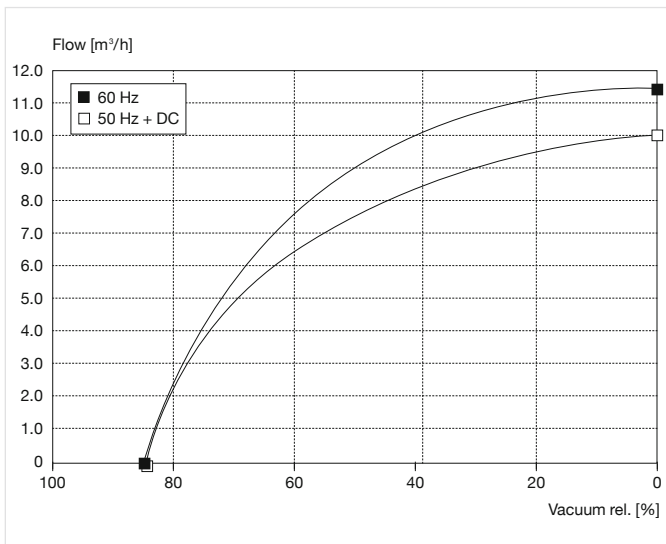
Motor type	Capacitor	Capacitor	Three-phase	Permanent magnet
Nominal voltage	230 V ±10% 50/60 Hz	100 V ±10% 50 Hz	200-255/346-440 V 50 Hz	24 V DC
		115 V ±10% 60 Hz	200-277/346-480 V 60 Hz	
Nominal speed	2700/3200 rpm	2700/3200 rpm	2850/3380 rpm	3200 rpm
Motor rating	0.35/0.42 kW	0.35/0.42 kW	0.37/0.44 kW	0.42 kW
Current consumption	3.9/3.4 A	9.0/8.4 A	2.77/1.60/2.25/1.30 A	30 A
Motor insulation class	F	F	F	F
Protection class	IP54	IP54	IP54	IP55
Thermal protector	yes	yes	no	no
UL recognized motor	no	yes	no	no

## GENERAL DATA

Ambient temperature	0 to 40 °C	0 to 40 °C	0 to 40 °C	0 to 40 °C
Weight	10.3 kg	10.3 kg	10.1 kg	11.8 kg
Direction of rotation	ccw	ccw	ccw	ccw
Average noise level	60/62 dB (A)	60/62 dB (A)	60/62 dB (A)	67 dB (A)

All listed flow values relate to air at the pump inlet condition (i.e. expanded under vacuum).  
 Further information (general usage, installation, servicing etc.) is available in the operating instructions manual.  
 Further UL recognized motor on request.

## FLOW CURVES



## SUPPLIED AS STANDARD

- Tube connector G 3/8 (Tube I.D. 11 - 13 mm)
- Outlet silencer G 3/8

## ACCESSORIES

- Vacuum regulator ZRV 12 G 3/8 (part number 31490)
- Non-return valve ZRK 12 G 3/8 (part number 61803)

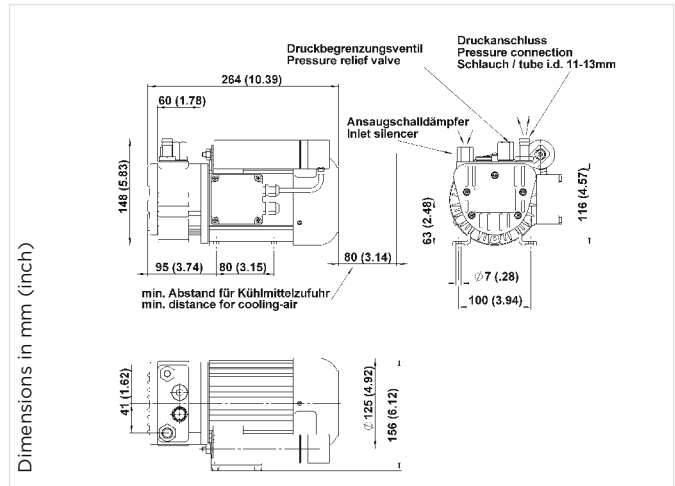
## SERVICE PARTS

- Service kit (part number 27740104) consists of:
- 4 x Vanes
  - 1 x Filter cartridge
  - 1 x Filter seal (ring)
  - 1 x Filter seal
  - 3 x Gasket (copper)
  - 1 x O-ring (inside silencer)

**2774...** Stock programme

# Rotary Vane Pump DTE 10

<b>Flow</b>	<b>10/12 m<sup>3</sup>/h</b>
<b>Max. pressure</b>	<b>1.0 bar</b>



## PNEUMATIC DATA

Description	DTE 10 230/50/60	DTE 10 115/50/60	DTE 10 Three-phase 50/60	DTE 10 24 DC
Part number	<b>27750225</b>	<b>27750226</b>	<b>27750227</b>	27750274
Max. flow	10/12 m <sup>3</sup> /h	10/12 m <sup>3</sup> /h	10/12 m <sup>3</sup> /h	10 m <sup>3</sup> /h
Max. intermittent pressure	0.8 bar	0.8 bar	1.0 bar	1.0 bar
Max. continuous pressure	0.8 bar	0.8 bar	1.0 bar	1.0 bar

## ELECTRICAL DATA

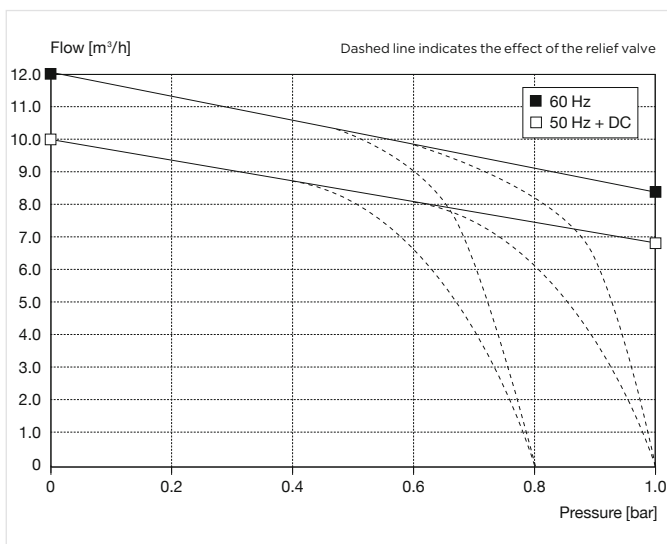
Motor type	Capacitor	Capacitor	Three-phase	Permanent magnet
Nominal voltage	230 V ±10% 50/60 Hz	100 V ±10% 50 Hz 115 V ±10% 60 Hz	200-255/346-440 V 50 Hz 200-277/346-480 V 60 Hz	24 V DC
Nominal speed	2700/3200 rpm	2700/3200 rpm	2850/3380 rpm	3200 rpm
Motor rating	0.35/0.42 kW	0.35/0.42 kW	0.37/0.44 kW	0.42 kW
Current consumption	3.9/3.4 A	9.0/8.4 A	2.77/1.60/2.25/1.30 A	30 A
Motor insulation class	F	F	F	F
Protection class	IP54	IP54	IP54	IP55
Thermal protector	yes	yes	no	no
UL recognized motor	no	yes	no	no

## GENERAL DATA

Ambient temperature	0 to 40 °C	0 to 40 °C	0 to 40 °C	0 to 40 °C
Weight	10.3 kg	10.3 kg	10.1 kg	11.8 kg
Direction of rotation	ccw	ccw	ccw	ccw
Average noise level	63/64 dB (A)	63/64 dB (A)	63/64 dB (A)	68 dB (A)

All listed flow values relate to air at standard atmospheric conditions.  
Further information (general usage, installation, servicing etc.) is available in the operating instructions manual.  
Further UL recognized motor on request.

## FLOW CURVES



## SUPPLIED AS STANDARD

- Tube connector G 3/8 (Tube I.D. 11 - 3 mm)
- Outlet silencer G 3/8
- Pressure relief valve (0.8/1.0 bar) G 3/8

## SERVICE PARTS

- Service kit (part number 27740104) consists of:
- 4 x Vanes
  - 1 x Filter cartridge
  - 2 x Filter seal (ring)
  - 1 x Filter seal
  - 3 x Gasket (copper)
  - 1 x O-ring (only for VTE needed)

## ACCESSORIES

- Pressure regulator ZRD 12 G 3/8 (part number 31431)
- Non-return valve ZRK 12 G 3/8 (part number 61803)

**2775...** Stock programme



PUMP AND COMPRESSOR SOLUTIONS FOR OEMS WORLDWIDE

[gd-thomas.com](http://gd-thomas.com)



**Gardner Denver Thomas GmbH**  
Livry-Gargan-Str. 10  
82256 Fürstenfeldbruck  
Germany  
T +49 8141 2280 0  
F +49 8141 8892136  
[thomas.de@gardnerdenver.com](mailto:thomas.de@gardnerdenver.com)

**Gardner Denver Hong Kong, Limited**  
Unit 1317-1318 Delta House, 3 On Yiu Street  
Siu Lek Yuen, Shatin, New Territories  
Hong Kong  
T +852 26903502  
F +852 27924598  
[thomas.hk@gardnerdenver.com](mailto:thomas.hk@gardnerdenver.com)

**Gardner Denver Thomas, Inc.**  
1419 Illinois Avenue  
Sheboygan, WI 53081  
USA  
T +1 920 4574891  
F +1 920 4514276  
[td.usa@gardnerdenver.com](mailto:td.usa@gardnerdenver.com)

**THOMAS**  
by Gardner Denver

The information presented in this material is based on technical data and test results of nominal units. It is believed to be accurate and reliable and is offered as an aid to help in the selection of Thomas products. It is the responsibility of the user to determine the suitability of the product for the intended use and the user assumes all risk and liability in connection therewith. Thomas does not warrant, guarantee or assume any obligation or liability in connection with this information.

Models presented in this catalog are representative of the product family. Photos of products pictured in this catalog do not necessarily represent a specific model number. To obtain further information for custom options, contact your local Thomas office.

Printed in Germany Form No. 17000148 03/2016 © Gardner Denver Thomas GmbH. All rights reserved.