

### FEATURES

- > Excellent aspiration performance
- > Valve system optimized for gas/liquid mixtures
- > High efficiency
- > Excellent reliability and durability even with corrosive and abrasive media
- > Flexible design for customized solutions

### TYPICAL APPLICATIONS

- > In-vitro diagnostics
- > Inkjet printers
- > Condensate removal

### BASE MODEL

6313 BLDC S



Diaphragm

# Diaphragm Liquid Pump 6313 BLDC Standard

Max. liquid flow	0.35 l/min
Max. gas flow	2.3 l/min
Pressure height (liquid)	10.0 m H <sub>2</sub> O
Final vacuum (gas)	70 %
Intended use	Aspiration of liquids



## HYDRAULIC DATA\*

Max. flow [l/min]	0.35
Max. cont. pressure [m H <sub>2</sub> O]	10.0
Max. suction height [m H <sub>2</sub> O]	7.0

## PNEUMATIC DATA\*

Max. flow [l/min]	2.3 (EPDM) / 1.6 (PTFE) l/min
Max. cont. pressure [mbar rel.]	1.100
Max. vacuum [%]	70

## OPERATING CONDITIONS\*

Media temperature (liquid) [°C]	5 to 80
Ambient temperature [°C]	5 to 40
Storage temperature [°C]	-30 to +70

\*Part number 63130002 and 63130004 as reference

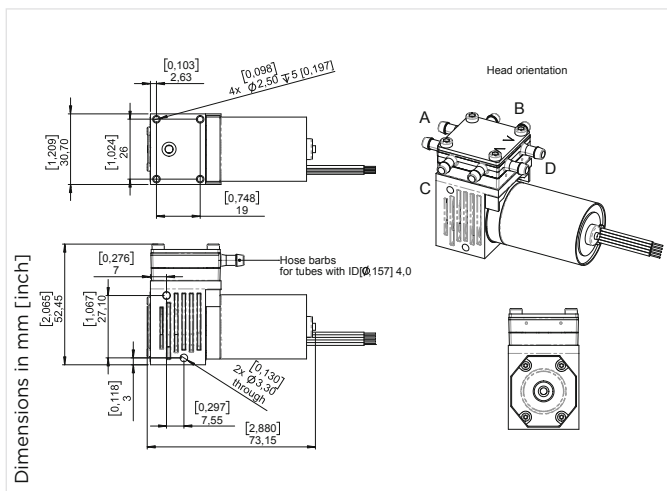
## PHYSICAL DATA

Dimensions l x w x h [mm]	73 x 31 x 52
Weight [g]	150
Mounting on side [mm]	Through hole Ø 3.3

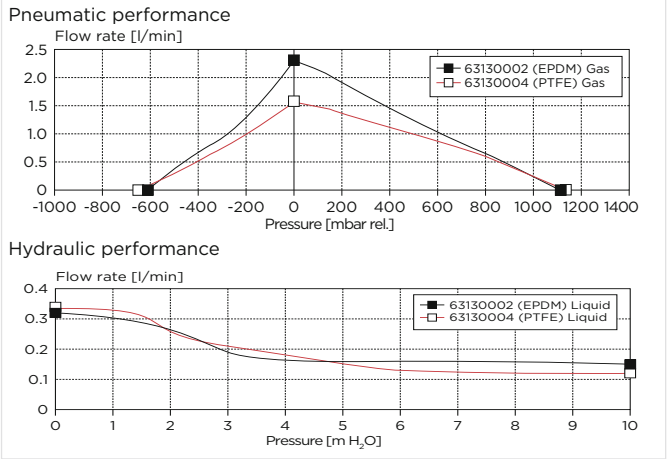
## ELECTRICAL DATA

Motor type	Brushless DC
Nominal voltage	12/24 V DC
Max. power consumption [W]	5.2 (liquid operation)
Insulation class	A
Protection class	IP20
Drive electronics	Integrated

## DIMENSIONAL DRAWING



## FLOW CURVES



## ELECTRICAL CONNECTION

Pin 1	V Supply	Red	12 V DC (max. range 8.0 - 14.0 V) 24 V DC (max. range 8.0 - 26.4 V)
Pin 2	Tacho out	Green	Output, signal current 2 mA 3 pulses / cycle ,Low': min. 0V / max. 0.5V ,High': min. 2V / max. 6V
Pin 3	Rot. direction	Yellow	Input DC Voltage - CW ,Low': min. 0V / max. 0.5V - CCW ,High': min. 2V / max. 5.5V or open
Pin 4	Ground	Black	Power Ground
Pin 5	Speed control	Blue	Input - PWM freq. 10 - 30 kHz - PWM duty cycle 4 - 100% (0% = max. rpm / 100% = 0 rpm) ,Low': min 0V / max. 0.5V ,High': min. 2V / max. 5.5V or open

## MODEL KEY

6313 - F - O - D - 24V - BLDC S - 4200 - 13 - EE - PP - HB

Pos	Options	Description
1	6313	Product Line
2	F	Fluid operation
3	0	Tubing: no tubing included
4	A / B / C / D	Port position: standard D over motor
5	12V / 24V	Nominal voltage
6	BLDC S	Motor: BLDC Standard
7	4200	Nominal motor speed (motor dependent)
8	10 / 13	Eccentric: e.g. 13 → 1.3 mm
9	EE / PF	Diaphragm, valve material: EPDM / PTFE / FFKM
10	PP	Pump head material: Polypropylene
11	HB / DN	Hose Barbs / DN 4/6 compression fittings

## ORDER INFORMATION

Part Number	Model Key
63130002	6313-F-0-D-24V-BLDC S-4200-13-EE-PP-HB
63130004	6313-F-0-D-24V-BLDC S-4200-10-PF-PP-HB
63130102	6313-F-0-D-12V-BLDC S-4200-13-EE-PP-HB
63130104	6313-F-0-D-12V-BLDC S-4200-10-PF-PP-HB
Other configurations	Upon request
To order call	ASIA +86 510 6878 2258
To order call	EMEA +49 8141 22800
To order call	USA +1 920 457 4891
Or go online @	www.gd-thomas.com



PUMP AND COMPRESSOR SOLUTIONS FOR OEMS WORLDWIDE

[gd-thomas.com](http://gd-thomas.com)



**Gardner Denver Thomas GmbH**

Livry-Gargan-Str. 10  
82256 Fürstenfeldbruck  
Germany

T +49 8141 2280 0  
F +49 8141 8892136

[thomas.de@gardnerdenver.com](mailto:thomas.de@gardnerdenver.com)

**Gardner Denver Thomas, Inc.**

1419 Illinois Avenue  
Sheboygan, WI 53081  
USA

T +1 920 4574891  
F +1 920 4514276

[td.usa@gardnerdenver.com](mailto:td.usa@gardnerdenver.com)

**Gardner Denver Thomas Pneumatic Systems (Wuxi) Co., Ltd.**

No. 1 New Dong An Road, Shuofang Town, Wuxi, Xinwu District  
Jiangsu 214142  
China

T +86 510 6878 2258  
F +86 510 6878 2200

[thomas.cn@gardnerdenver.com](mailto:thomas.cn@gardnerdenver.com)

The information presented in this material is based on technical data and test results of nominal units. It is believed to be accurate and reliable and is offered as an aid to help in the selection of Thomas products. It is the responsibility of the user to determine the suitability of the product for the intended use and the user assumes all risk and liability in connection therewith. Thomas does not warrant, guarantee or assume any obligation or liability in connection with this information.

Models presented in this catalog are representative of the product family. Photos of products pictured in this catalog do not necessarily represent a specific model number. To obtain further information for custom options, contact your local Thomas office.

Printed in Germany Form No. 17006313 03/2021 © Gardner Denver Thomas GmbH. All rights reserved.