

FEATURES

- > Lightweight, compact design
- > cRUus listed or CE mark
- > RoHS and REACH compliant
- > Internal 9 blade cooling air flow fan
- > Conventional foot mount design
- > Extremely low sound & vibration
- > Wetted parts treated for corrosion resistance
- > Die-cast aluminum components
- > Oil-less operation
- > Proven WOB-L[®] technology
- > Easily serviced

Declaration documentation available upon request

TYPICAL APPLICATIONS

- > Laboratory Equipment
- > Food/Beverage Equipment
- > Business Equipment
- > Dental Equipment
- > Packaging Equipment
- > Vacuum Assist Equipment

BASE MODELS

380CE32

(115/60/1)

380CGHI32

(220-240/50/230/60/1)

380CS32

(100/50/60/1)



WOB-L[®]

380Series

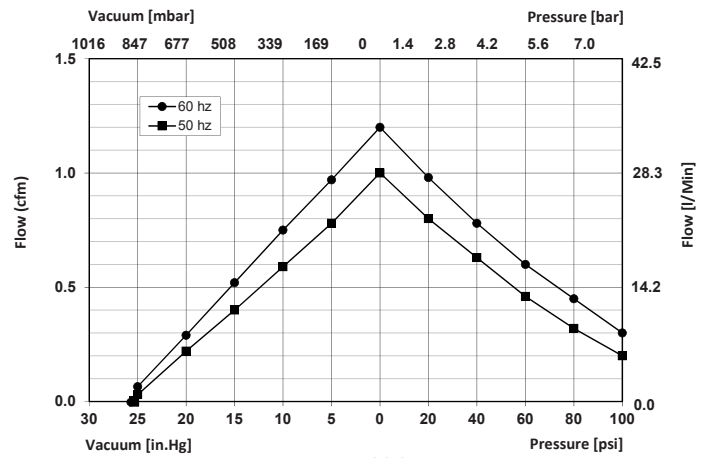
Flow	1.2 cfm (34 l/min)
Max. pressure	100 psi (6.9 bar)
Max. vacuum	89% local barometer



380CE32



380CGHI32,
380CS32



Note: 380CS32 is rated for 60 psi (4.1 bar) maximum pressure

NOTE: All test values are nominal and for reference only. They are not guaranteed maximum or minimum limits, nor do they imply mean or median.

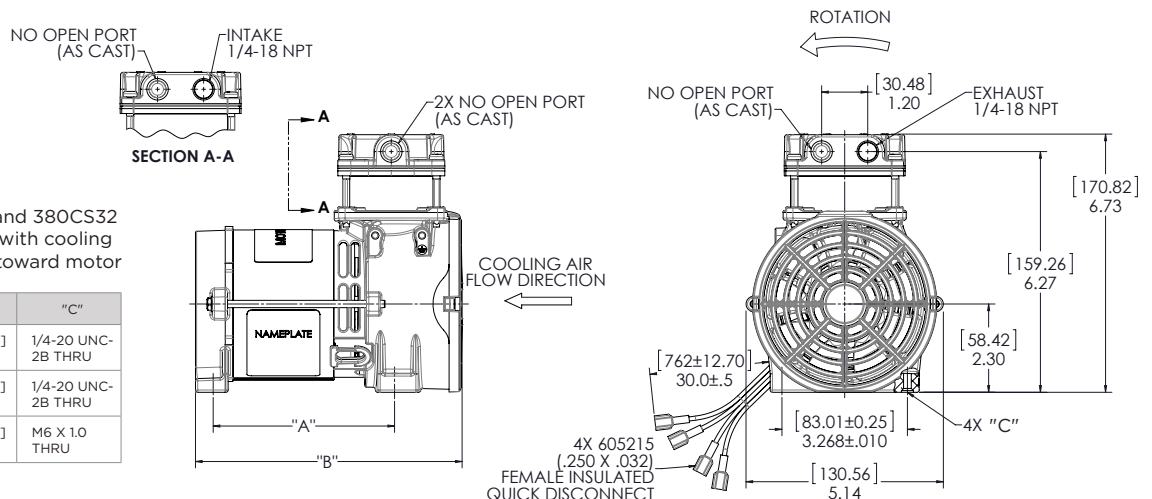
PERFORMANCE DATA		T17-0151		T19-0381		T17-0107	
Model Number	380CE32	380CGHI32		380CS32			
Head Configuration	Pressure/vacuum	Pressure/vacuum		Pressure/vacuum			
Stroke	0.32 in. (8.1 mm)	0.32 in. (8.1 mm)		0.32 in. (8.1 mm)			
Nominal voltage input	115/60/1	220-240/50/1	230/60/1	100/50/1	100/60/1		
Max. open air flow	1.2 cfm (34 l/min)	1.0 cfm (28.3 l/min)	1.2 cfm (34 l/min)	1.0 cfm (28.3 l/min)	1.2 cfm (34 l/min)		
Max. rated pressure	100 psi (6.9 bar)	100 psi (6.9 bar)	100 psi (6.9 bar)	60 psi (4.1 bar)	60 psi (4.1 bar)		
Current at rated pressure	2.1A	0.9A	1.1A	2.1A	2.5A		
Power at rated pressure	206W	194W	168W	198W	232W		
Speed at rated pressure	1669 rpm	1405 rpm	1720 rpm	1394 rpm	1716 rpm		
Max. pressure restart	Consult factory	Consult factory	Consult factory	Consult factory	Consult factory		
Max. vacuum	89% local barometer	89% local barometer	89% local barometer	89% local barometer	89% local barometer		
Max. vacuum restart	Consult factory	Consult factory	Consult factory	Consult factory	Consult factory		

ELECTRICAL DATA		T17-0151		T19-0381		T17-0107	
Motor type (Capacitance)	P.S.C. [15 µF]	P.S.C. [10 µF]		P.S.C. [30 µF]			
Motor locked rotor current	5.4A	2.1A	2.0A	4.6A	4.1A		
Motor insulation class	B	B		B			
Thermal switch (Nominal Open)	Yes [293°F (145°C)]	Yes [293°F (145°C)]		Yes [293°F (145°C)]			
Lead wire color, gauge	Brown(hot), blue(neutral), 18 AWG	Brown(hot), blue(neutral), 18 AWG		Brown(hot), blue(neutral), 18 AWG			
Capacitor lead wire color, gauge	Black, black, 18 AWG	Red, red, 18 AWG		Black, black, 18 AWG			

GENERAL DATA		T17-0151		T19-0381		T17-0107	
Operating ambient temperature	50° to 104°F (10°C TO 40°C)	50° to 104°F (10°C TO 40°C)		50° to 104°F (10°C TO 40°C)			
Safety Certification	cRUUs	CE		None			
Net weight	9.70 lbs (4.4 kg)	9.95 lbs (4.5 kg)		9.95 lbs (4.5 kg)			

PRODUCT DIMENSIONS

Dimensions in inches (mm)



Note: Models 380CGHI32 and 380CS32 have extended motor shell with cooling air flow fan directing air in toward motor

Model	"A"	"B"	"C"
380CE32	[120 ±.75] 4.274 ±.030	[176.4] 6.94	1/4-20 UNC- 2B THRU
380CGHI32	[157 ±.75] 6.180 ±.030	[213.3] 8.40	1/4-20 UNC- 2B THRU
380CS32	[157 ±.75] 6.180 ±.030	[213.3] 8.40	M6 X 1.0 THRU

PUMP AND COMPRESSOR SOLUTIONS FOR OEMS WORLDWIDE

gd-thomas.com

**THOMAS**



Gardner Denver Thomas GmbH

Livry-Gargan-Str. 10
82256 Fürstentfeldbruck
Germany

T +49 8141 2280 0
F +49 8141 8892136

thomas.de@gardnerdenver.com

Gardner Denver Thomas Pneumatic Systems (Wuxi) Co. Ltd.

1 New Dong'an Road, Shuofang Town
Xinwu District, Wuxi
Jiangsu, 214142 China

T +86 510 6878 2258
F +86 510 6878 2200

thomas.cn@gardnerdenver.com

Gardner Denver Thomas, Inc.

1419 Illinois Avenue
Sheboygan, WI 53081
USA

T +1 920 4574891
F +1 920 4514276

td.usa@gardnerdenver.com

The information presented in this material is based on technical data and test results of nominal units. It is believed to be accurate and reliable and is offered as an aid to help in the selection of Thomas products. It is the responsibility of the user to determine the suitability of the product for the intended use and the user assumes all risk and liability in connection there with. Thomas does not warrant, guarantee or assume any obligation or liability in connection with this information.

Models presented in this catalog are representative of the product family. Photos of products pictured in this catalog do not necessarily represent a specific model number. To obtain further information for custom options, contact your local Thomas office.

Printed in U.S.A Form No. 850-4024 09/2020 © Gardner Denver Thomas, Inc. All rights reserved.