

2380 Series

THOMAS
by Gardner Denver

FEATURES

- > Lightweight, compact design
- > cRUus or TUV approved (115/60/1 or 230/50/1)
- > RoHS and REACH compliant
- > Operate per EN 80601 standard (.38", .44" stroke)
- > Internal 9 blade cooling air flow fans
- > Conventional foot mount design
- > Extremely low vibration
- > Monolithic head
- > Wetted parts treated for corrosion resistance
- > Oil-less operation
- > Proven WOB-L technology
- > Easily serviced

Declaration documentation available upon request

TYPICAL APPLICATIONS

- > O₂ Concentrator
- > Blood or Laboratory Analyzers
- > Respiratory Therapy Equipment
- > ENT Equipment
- > Dental Equipment
- > Packaging/Printing Equipment
- > Air Dryers

BASE MODELS

2380CE32

(115/60/1)

2380CUU32

(230/50/1)

2380CS32

(100/50/60/1)

2380CE38

(115/60/1)

2380CUU38

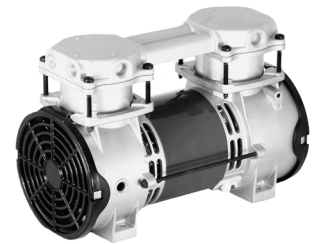
(230/50/1)

2380CE44

(115/60/1)

2380CUU44

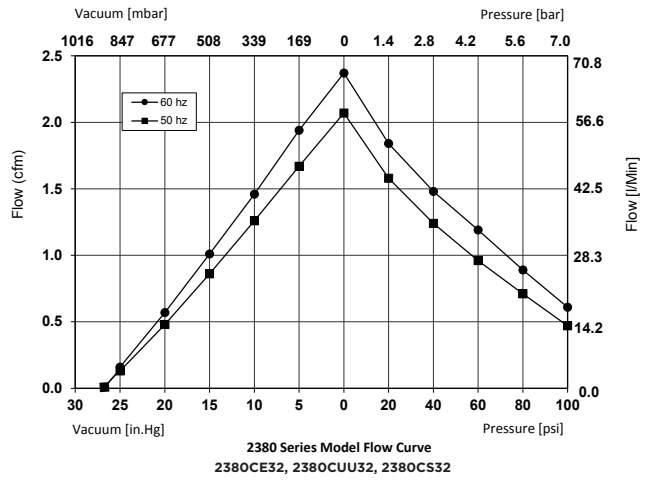
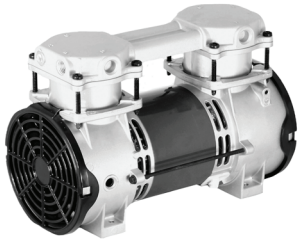
(230/50/1)



WOB-L

2380Series

| | |
|---------------|---------------------|
| Flow | 2.3 cfm (65 l/min) |
| Max. pressure | 100 psi (6.9 bar) |
| Max. vacuum | 90% local barometer |



NOTE: All test values are nominal and for reference only. They are not guaranteed maximum or minimum limits, nor do they imply mean or median.

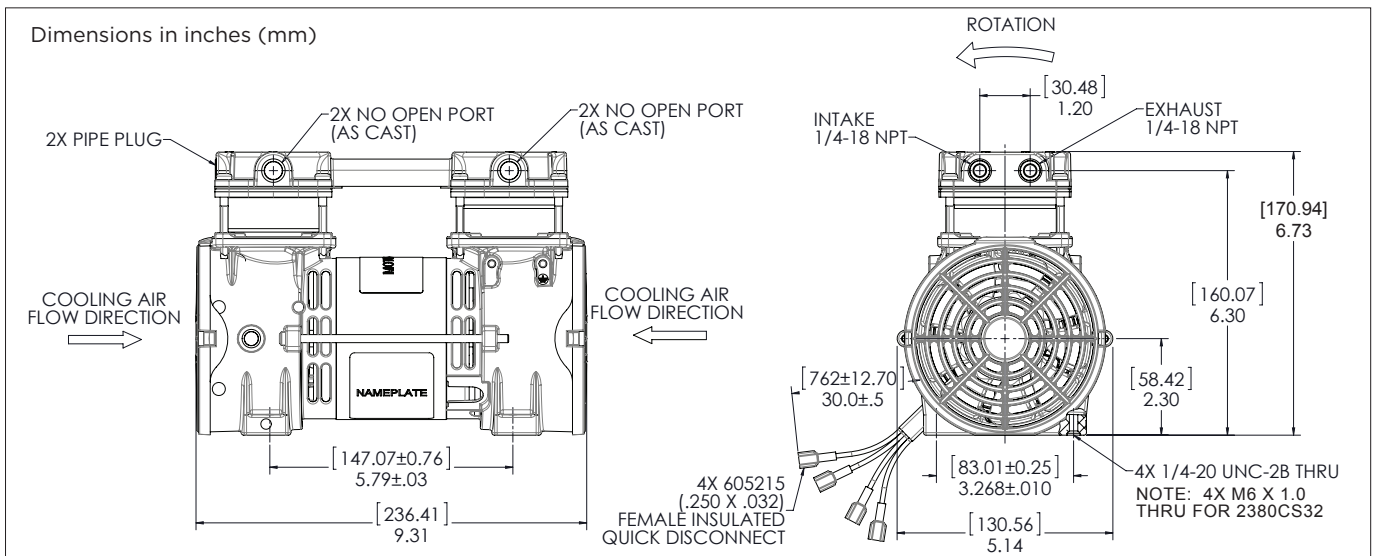
| PERFORMANCE DATA | T16-0224 | T16-0182 | T16-0246 |
|---------------------------|-------------------------------|-------------------------------|-------------------------------------------|
| Model Number | 2380CE32 | 2380CUU32 | 2380CS32 |
| Head Configuration | Pressure/vacuum parallel flow | Pressure/vacuum parallel flow | Pressure/vacuum parallel flow |
| Stroke | 0.32 in. (8.1 mm) | 0.32 in. (8.1 mm) | 0.32 in. (8.1 mm) |
| Nominal voltage input | 115/60/1 | 230/50/1 | 100/50/60/1 |
| Max. open air flow | 2.3 cfm (65.1 l/min) | 2.0 cfm (56.6 l/min) | 2.0 cfm (56.6 l/min)/2.3 cfm (65.1 l/min) |
| Max. rated pressure | 100 psi (6.9 bar) | 100 psi (6.9 bar) | 100 psi (6.9 bar) |
| Current at rated pressure | 3.0A | 1.3A | 2.9A/3.4A |
| Power at rated pressure | 338W | 290W | 279W/336W |
| Speed at rated pressure | 1666 rpm | 1371 rpm | 1377 rpm/1626 rpm |
| Max. pressure restart | Consult factory | Consult factory | Consult factory |
| Max. vacuum | 90% local barometer | 90% local barometer | 90% local barometer |
| Max. vacuum restart | Consult factory | Consult factory | Consult factory |

| ELECTRICAL DATA | | | |
|-------------------------------------------|-----------------------------------|-----------------------------------|-----------------------------------|
| Motor type (Capacitance) | P.S.C. [25 µF] | P.S.C. [10 µF] | P.S.C. [30 µF] |
| Motor locked rotor current | 8.4A | 3.8A | 7.7A 50hz/7.3A 60W |
| Motor insulation class | B | B | B |
| Thermal switch (Nominal Open temperature) | Yes [293°F (145°C)] | Yes [293°F (145°C)] | Yes [293°F (145°C)] |
| Lead wire color, gauge | Brown(hot), blue(neutral), 18 AWG | Brown(hot), blue(neutral), 18 AWG | Brown(hot), blue(neutral), 18 AWG |
| Capacitor lead wire color, gauge | Black, black, 18 AWG | Red, red, 18 AWG | Black, black, 18 AWG |

| GENERAL DATA | | | |
|-------------------------------|------------------------------|------------------------------|------------------------------|
| Operating ambient temperature | 50° to 104°F (10°C TO 40°C)* | 50° to 104°F (10°C TO 40°C)* | 50° to 104°F (10°C TO 40°C)* |
| Safety Certification | cRUus | TUV | None |
| Net weight | 12 lbs (5.44 kg) | 12 lbs (5.44 kg) | 12 lbs (5.44 kg) |

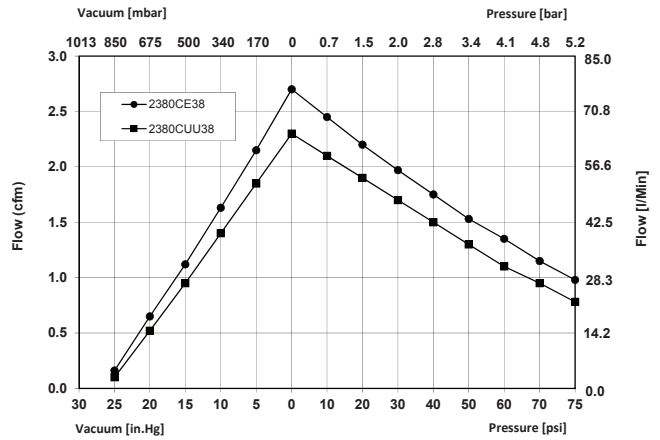
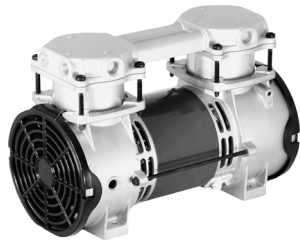
*Broader ambient operating ranges may be possible depending on your specific application. Please consult factory regarding your particular system needs.

PRODUCT DIMENSIONS



2380Series

| | |
|---------------|----------------------|
| Flow | 2.7 cfm (76.5 l/min) |
| Max. pressure | 75 psi (5.2 bar) |
| Max. vacuum | 91% local barometer |



NOTE: All test values are nominal and for reference only. They are not guaranteed maximum or minimum limits, nor do they imply mean or median.

| PERFORMANCE DATA | T17-0120 | T17-0113, T16-0185 |
|---------------------------|-------------------------------|-------------------------------|
| Model Number | 2380CE38 | 2380CUU38 |
| Head Configuration | Pressure/vacuum parallel flow | Pressure/vacuum parallel flow |
| Stroke | 0.38 in. (9.7 mm) | 0.38 in. (9.7 mm) |
| Nominal voltage input | 115/60/1 | 230/50/1 |
| Max. open air flow | 2.7 cfm (76.5 l/min) | 2.3 cfm (65.1 l/min) |
| Max. rated pressure* | 75 psi (5.2 bar)* | 75 psi (5.2 bar)* |
| Current at rated pressure | 3.2A | 1.4A |
| Power at rated pressure | 370W | 325W |
| Speed at rated pressure | 1635 rpm | 1335 rpm |
| Max. pressure restart | Consult factory | Consult factory |
| Max. vacuum | 91% local barometer | 91% local barometer |
| Max. vacuum restart | Consult factory | Consult factory |

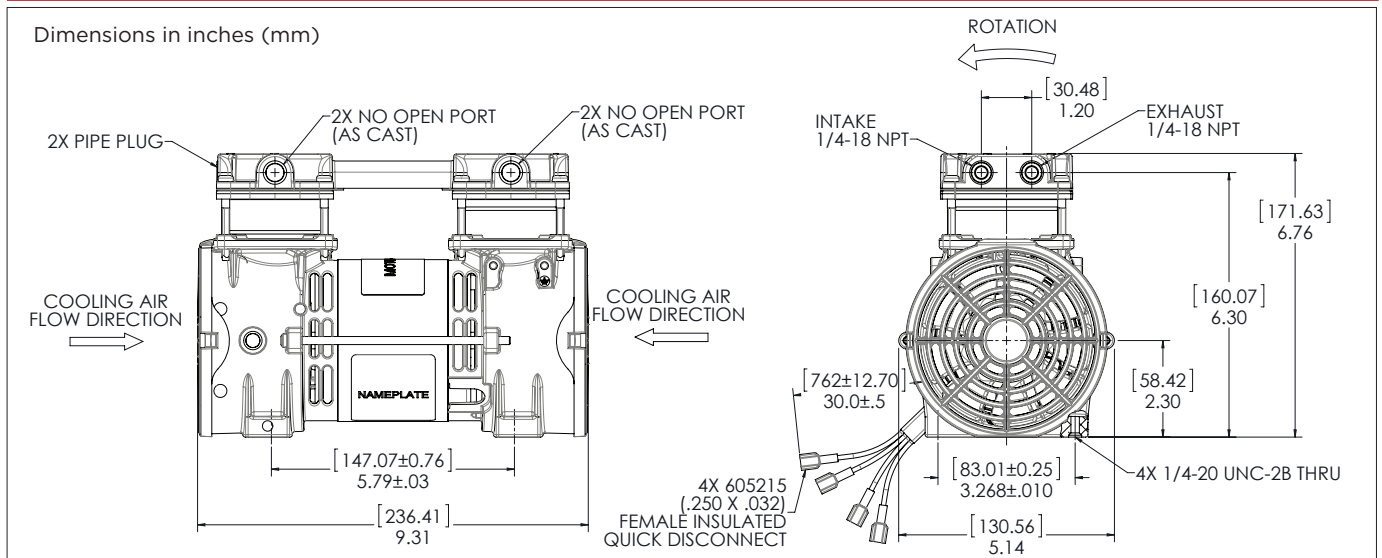
*Max rated pressure note: For O₂ concentrator applications that operate per EN 80601 (-15%/+10% nominal voltage), the maximum rated pressure is 40 psi (2.8 bar).

| ELECTRICAL DATA | | |
|-------------------------------------------|-----------------------------------|-----------------------------------|
| Motor type (Capacitance) | P.S.C. [25 µF] | P.S.C. [12.5 µF] |
| Motor locked rotor current | 8.4A | 3.6A |
| Motor insulation class | B | B |
| Thermal switch (Nominal Open temperature) | Yes [293°F (145°C)] | Yes [293°F (145°C)] |
| Lead wire color, gauge | Brown(hot), blue(neutral), 18 AWG | Brown(hot), blue(neutral), 18 AWG |
| Capacitor lead wire color, gauge | Black, black, 18 AWG | Red, red, 18 AWG |

| GENERAL DATA | | |
|-------------------------------|------------------------------|------------------------------|
| Operating ambient temperature | 50° to 104°F (10°C TO 40°C)* | 50° to 104°F (10°C TO 40°C)* |
| Safety Certification | cRUus | TUV |
| Net weight | 12 lbs (5.44 kg) | 12 lbs (5.44 kg) |

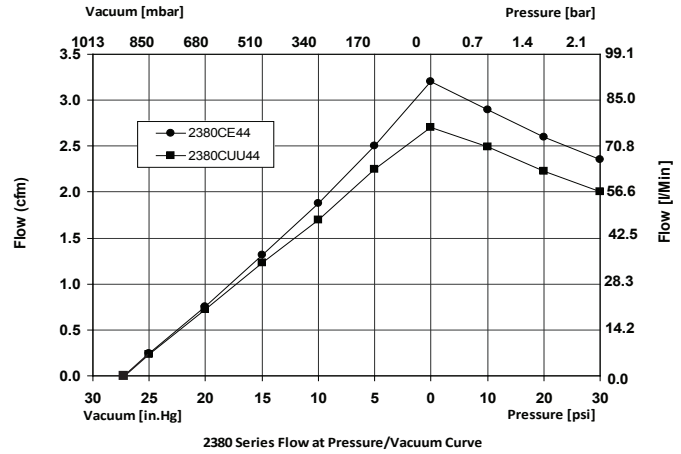
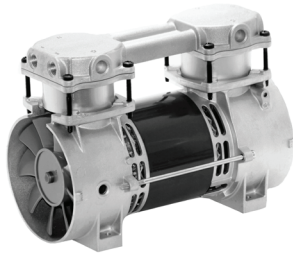
*Broader ambient operating ranges may be possible depending on your specific application. Please consult factory regarding your particular system needs.

PRODUCT DIMENSIONS



2380Series

| | |
|---------------|----------------------|
| Flow | 3.2 cfm (90.6 l/min) |
| Max. pressure | 30 psi (2.0 bar) |
| Max. vacuum | 92% local barometer |



NOTE: All test values are nominal and for reference only. They are not guaranteed maximum or minimum limits, nor do they imply mean or median.

| PERFORMANCE DATA | T16-0364 | T16-0453 |
|---------------------------|-------------------------------|-------------------------------|
| Model Number | 2380CE44 | 2380CUU44 |
| Head Configuration | Pressure/vacuum parallel flow | Pressure/vacuum parallel flow |
| Stroke | 0.44 in. (11.2 mm) | 0.44 in. (11.2 mm) |
| Nominal voltage input | 115/60/1 | 230/50/1 |
| Max. open air flow | 3.2 cfm (90.6 l/min) | 2.7 cfm (76.5 l/min) |
| Max. rated pressure* | 30 psi (2.0 bar)* | 30 psi (2.0 bar)* |
| Current at rated pressure | 3.4A | 1.5A |
| Power at rated pressure | 389W | 340W |
| Speed at rated pressure | 1644 rpm | 1342 rpm |
| Max. pressure restart | Consult factory | Consult factory |
| Max. vacuum | 92% local barometer | 92% local barometer |
| Max. vacuum restart | Consult factory | Consult factory |

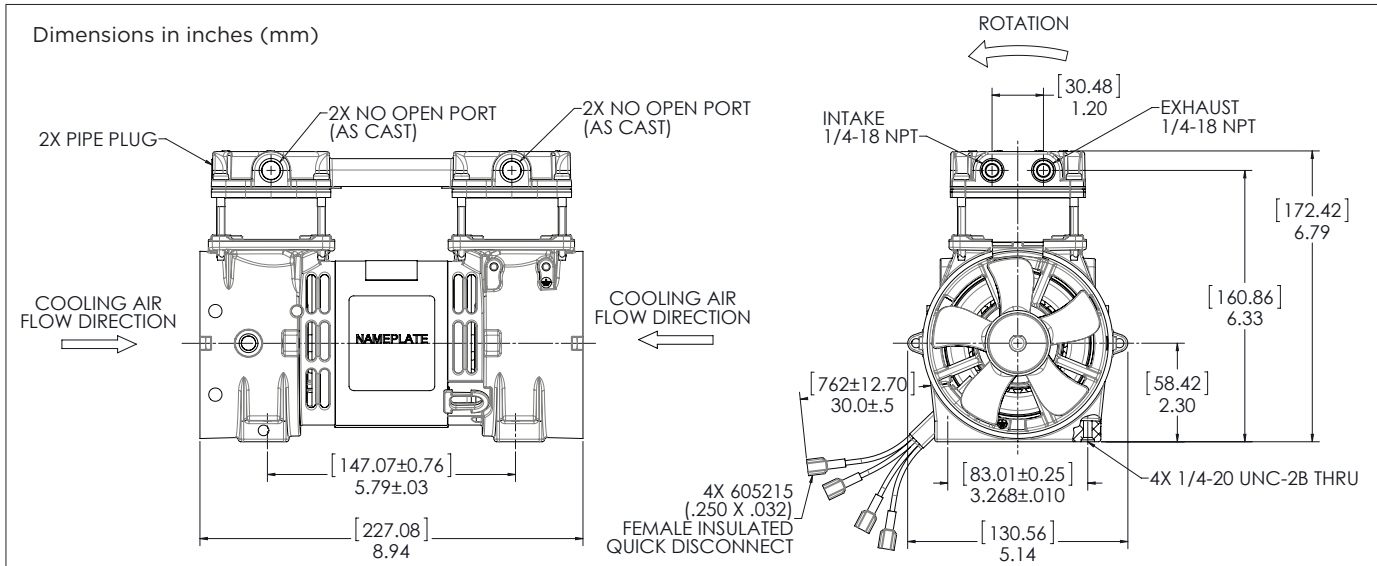
*Max rated pressure note: 30 psi (2.0 bar) is per EN 80601 operation (-15%/+10% nominal voltage). Applications that require ±10% nominal voltage may operate up to 40 psi (2.75 bar).

| ELECTRICAL DATA | | |
|-------------------------------------------|-----------------------------------|-----------------------------------|
| Motor type (Capacitance) | P.S.C. [25 µF] | P.S.C. [15 µF] |
| Motor locked rotor current | 8.4A | 3.6A |
| Motor insulation class | B | B |
| Thermal switch (Nominal Open temperature) | Yes [293°F (145°C)] | Yes [293°F (145°C)] |
| Lead wire color, gauge | Brown(hot), blue(neutral), 18 AWG | Brown(hot), blue(neutral), 18 AWG |
| Capacitor lead wire color, gauge | Black, black, 18 AWG | Red, red, 18 AWG |

| GENERAL DATA | | |
|-------------------------------|------------------------------|------------------------------|
| Operating ambient temperature | 50° to 104°F (10°C TO 40°C)* | 50° to 104°F (10°C TO 40°C)* |
| Safety Certification | cRUus | TUV |
| Net weight | 12 lbs (5.44 kg) | 12 lbs (5.44 kg) |

*Broader ambient operating ranges may be possible depending on your specific application. Please consult factory regarding your particular system needs.

PRODUCT DIMENSIONS



PUMP AND COMPRESSOR SOLUTIONS FOR OEMS WORLDWIDE

gd-thomas.com



Gardner Denver Thomas GmbH

Livry-Gargan-Str. 10
82256 Fürstentfeldbruck
Germany

T +49 8141 2280 0
F +49 8141 8892136

thomas.de@gardnerdenver.com

Gardner Denver Thomas Pneumatic Systems (Wuxi) Co. Ltd.

1 New Dong'an Road, Suofang Town
Xinwu District, Wuxi
Jiangsu, 214142 P.R. China

T +86 510 6878 2217
F +86 510 6878 2200

thomas.cn@gardnerdenver.com

THOMAS

by Gardner Denver

Gardner Denver Thomas, Inc.

1419 Illinois Avenue
Sheboygan, WI 53081
USA

T +1 920 4574891
F +1 920 4514276

td.usa@gardnerdenver.com

The information presented in this material is based on technical data and test results of nominal units. It is believed to be accurate and reliable and is offered as an aid to help in the selection of Thomas products. It is the responsibility of the user to determine the suitability of the product for the intended use and the user assumes all risk and liability in connection there with. Thomas does not warrant, guarantee or assume any obligation or liability in connection with this information.

Models presented in this catalog are representative of the product family. Photos of products pictured in this catalog do not necessarily represent a specific model number. To obtain further information for custom options, contact your local Thomas office.

Printed in U.S.A Form No. 850-4021 06/2017 © Gardner Denver Thomas, Inc. All rights reserved.