

## FEATURES

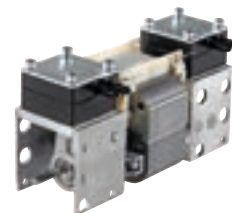
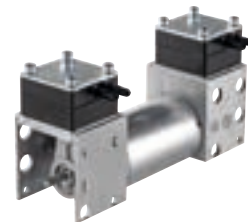
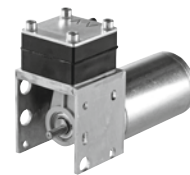
- > Oil-less
- > Low vibration
- > Low sound level

## TYPICAL APPLICATIONS

- > Medical devices
- > Clinical analyzers
- > Air collector
- > Inhalators
- > Autoclaves

## BASE MODEL

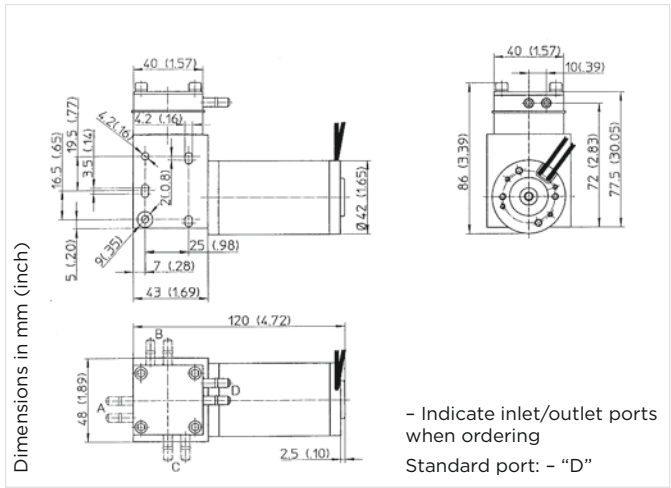
- 7010 DC
- 7010 AC
- 7010Z DC
- 7010Z AC



Diaphragm

# Diaphragm Pump 7010 DC

<b>Flow</b>	<b>6.5 l/min</b>
<b>Max. pressure</b>	<b>2.2 bar</b>
<b>Max. vacuum</b>	<b>73 %</b>



## PNEUMATIC DATA

Description	7010VD/2.2/NNN/DC
Part number	12 V DC <b>70102502</b> 24 V DC 70102514
Max. flow	6.5 l/min
Max. intermittent duty	2.2 bar
Max. continuous pressure	1.0 bar
Max. restart pressure	1.0 bar
Max. vacuum	73 %
Max. continuous vacuum	73 %
Max. restart vacuum	73 %

## WETTED PARTS

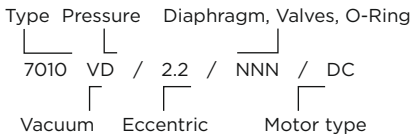
Pump chamber	PAA
Pump head	PA
Diaphragm	NBR
Valves	NBR
O-Ring	NBR
Diaphragm plate screw	Galvanized steel

## OPTIONS

PPS
PPS
EPDM, FKM, PTFE (FKM, NBR)
EPDM, FKM
EPDM, FKM

**7010...** Stock programme

Model key:



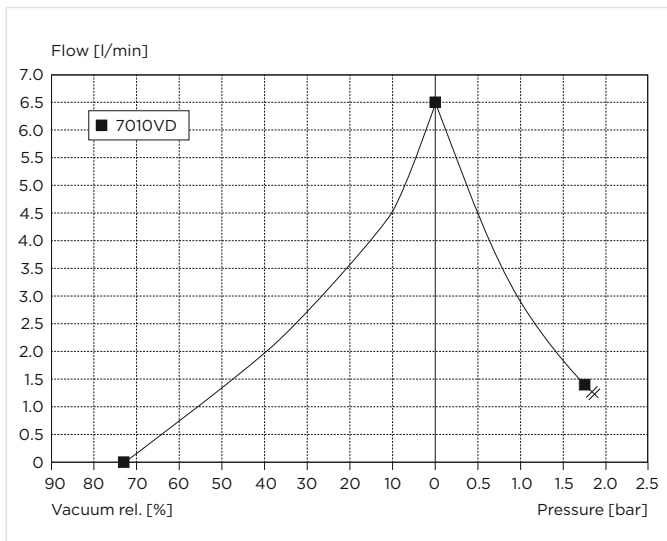
## ELECTRICAL DATA

Motor type	Permanent magnet
Nominal voltage	12/24 V DC
Nominal speed	2800 rpm
Current consumption	1.3/0.65 A
Starting current	5.9/3.4 A
Power consumption	16 W
Motor insulation class	E
Protection class	IPOO

## GENERAL DATA

Ambient temperature	15 to 40 °C
Media temperature	15 to 60 °C
Weight	0.6 kg
Port direction	D

## FLOW CURVES



# Diaphragm Pump 7010 AC

Flow	5.5 l/min
Max. pressure	2.3 bar
Max. vacuum	73%



## PNEUMATIC DATA

Description	7010VD/2.2/FFF/AC
Part number	230 V/50 Hz <b>70102532</b>
Max. flow	5.5 l/min
Max. intermittent duty	2.3 bar
Max. continuous pressure	1.2 bar
Max. restart pressure	Ambient pressure*
Max. vacuum	73%
Max. continuous vacuum	73%
Max. restart vacuum	Ambient pressure*

## ELECTRICAL DATA

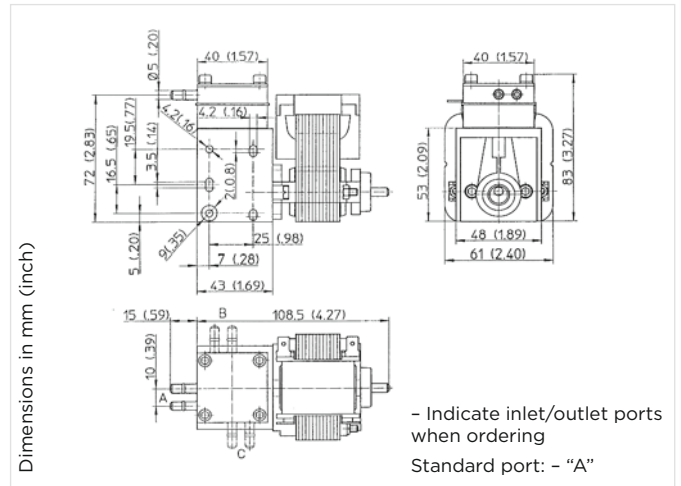
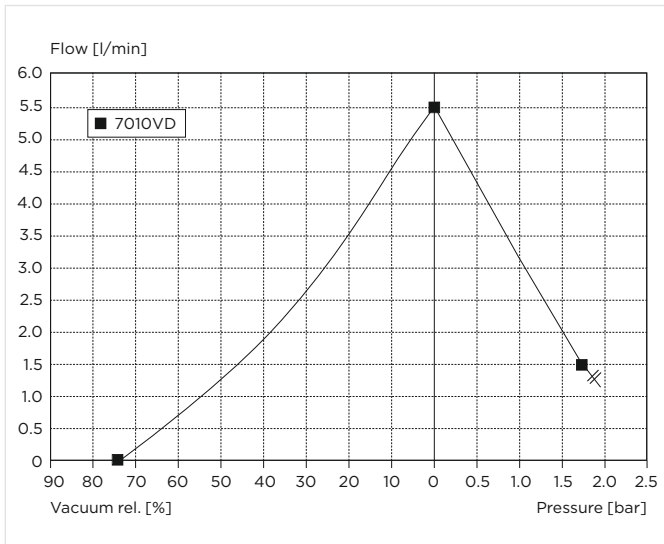
Motor type	Shaded pole
Nominal voltage	230 V/50 Hz
Nominal speed	2300 rpm
Current consumption	0.54 A
Starting current	0.62 A
Power consumption	52 W
Motor insulation class	E
Protection class	IP00
Thermal switch	no

## GENERAL DATA

Ambient temperature	15 to 40 °C
Media temperature	15 to 40 °C
Weight	0.95 kg
Port direction	A

\* Part numbers change when restart is required with vacuum or pressure.

## FLOW CURVES



## WETTED PARTS

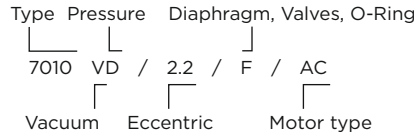
Pump chamber	PAA
Pump head	PA
Diaphragm	FKM
Valves	FKM
O-Ring	FKM
Diaphragm plate screw	Galvanized steel

## OPTIONS

PPS
PPS
EPDM, NBR, PTFE (EPDM, FKM)
EPDM, NBR
EPDM, NBR

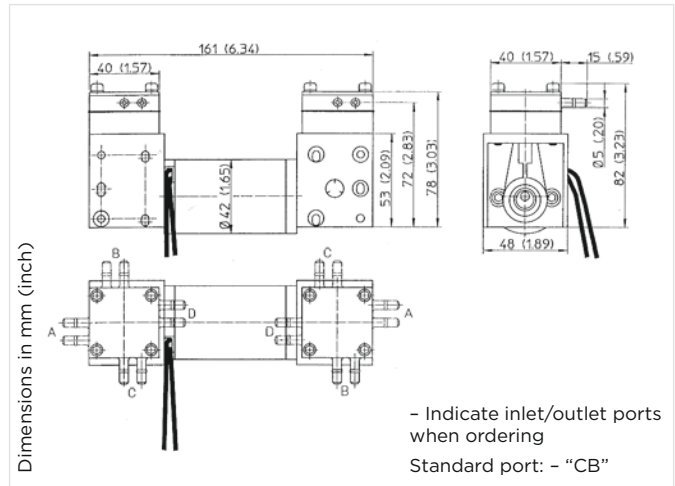
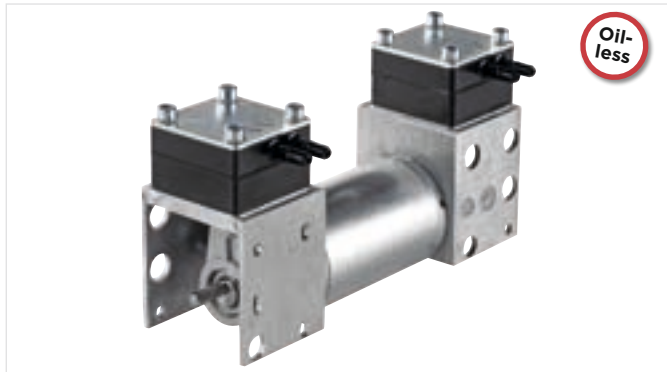
7010... Stock programme

Model key:



# Diaphragm Pump 7010Z DC

<b>Flow</b>	<b>12.0 l/min</b>
<b>Max. pressure</b>	<b>2.0 bar</b>
<b>Max. vacuum</b>	<b>90 %</b>



## PNEUMATIC DATA

Description	7010ZVDP/2.2/NFN/DC	7010ZVR/2.2/NFN/DC
Part number	12 V 70102167 24 V 70102133	70100043
Max. flow	12.0 l/min	6.0 l/min
Max. intermittent duty	2.0 bar	
Max. continuous pressure	0.8 bar	
Max. vacuum	75%	90%
Max. continuous vacuum	75%	90%
Max. restart vacuum	Ambient pressure*	90%

## ELECTRICAL DATA

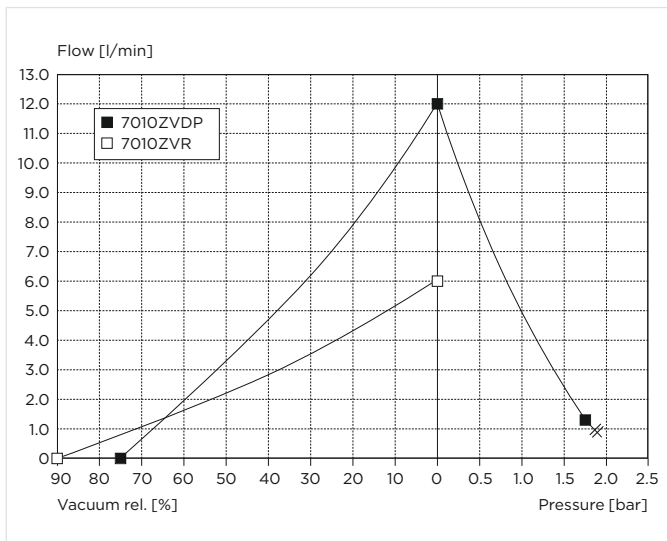
Motor type	Permanent magnet	Permanent magnet
Nominal voltage	12/24 V DC	12/24 V DC
Nominal speed	2800 rpm	2800 rpm
Current consumption	1.7/0.9 A	0.9 A
Starting current	4.5/3.5 A	3.5 A
Power consumption	20 W	20 W
Motor insulation class	E	E
Protection class	IPOO	IPOO

## GENERAL DATA

Ambient temperature	15 to 40 °C	15 to 40 °C
Media temperature	15 to 60 °C	15 to 60 °C
Weight	0.75 kg	0.75 kg
Port direction	CB	CB
Configuration	Parallel	Parallel

\* Part numbers change when restart is required with vacuum or pressure.

## FLOW CURVES



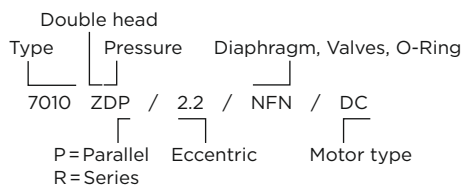
## WETTED PARTS

Pump chamber	PAA
Pump head	PA
Diaphragm	NBR
Valves	NBR, FKM
O-Ring	NBR
Diaphragm plate screw	Galvanized steel

## OPTIONS

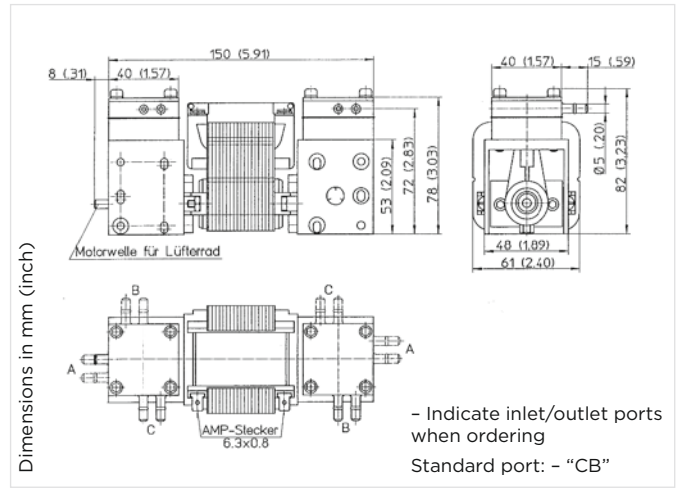
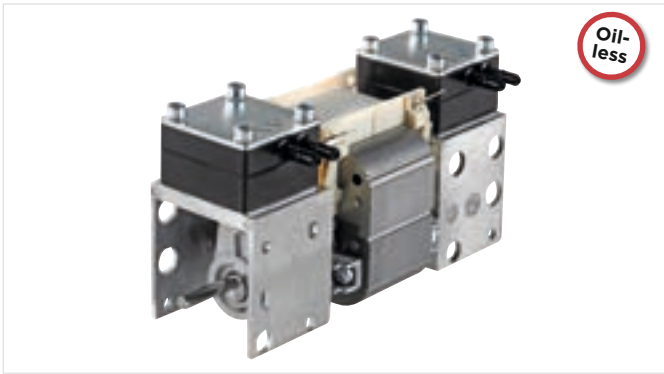
PPS
PPS
EPDM, FKM, PTFE (EPDM, FKM)
EPDM
EPDM, FKM

Model key:



# Diaphragm Pump 7010Z AC

Flow	12.5 l/min
Max. pressure	2.0 bar
Max. vacuum	75 %



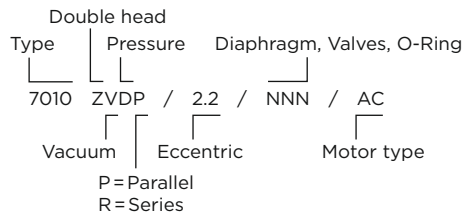
PNEUMATIC DATA	
Description	7010ZVDP/2.2/NNN/AC
Part number 115 V/60 Hz	70101813
Max. flow	12.5 l/min
Max. intermittent duty	2.0 bar
Max. continuous pressure	0.8 bar
Max. restart pressure	Ambient pressure*
Max. vacuum	75 %
Max. continuous vacuum	75 %
Max. restart vacuum	75 %

WETTED PARTS	
Pump chamber	PAA
Pump head	PA
Diaphragm	NBR
Valves	NBR, FKM
O-Ring	NBR
Diaphragm plate screw	Galvanized steel

OPTIONS	
	PPS
	PPS
	EPDM, PTFE

ELECTRICAL DATA	
Motor type	Shaded pole
Nominal voltage	115 V/60 Hz
Nominal speed	2900 rpm
Current consumption	0.9 A
Starting current	1.1 A
Power consumption	67 W
Motor insulation class	B
Protection class	IP00
Thermal switch	130 °C

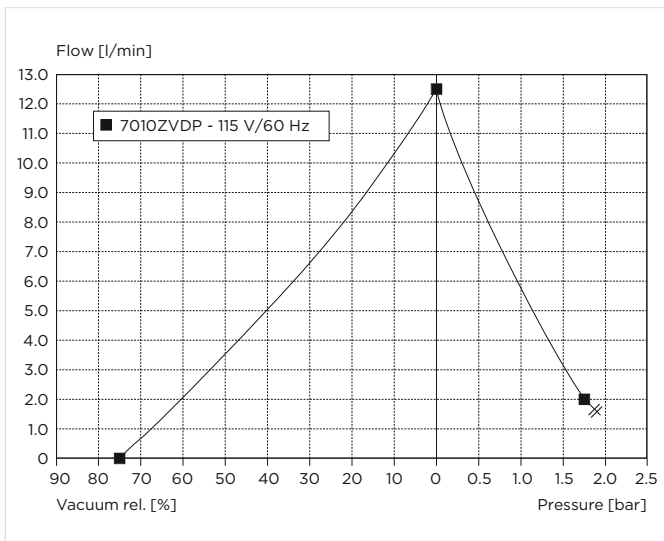
Model key:



GENERAL DATA	
Ambient temperature	15 to 40 °C
Media temperature	15 to 40 °C
Weight	1.45 kg
Port direction	CB
Configuration	Parallel

\* Part numbers change when restart is required with vacuum or pressure.

## FLOW CURVES



PUMP AND COMPRESSOR SOLUTIONS FOR OEMS WORLDWIDE

[gd-thomas.com](http://gd-thomas.com)



**Gardner Denver Thomas GmbH**

Livry-Gargan-Str. 10  
82256 Fürstenfeldbruck  
Germany

T +49 8141 2280 0  
F +49 8141 8892136

[thomas.de@gardnerdenver.com](mailto:thomas.de@gardnerdenver.com)

**Gardner Denver Thomas. Inc.**

1419 Illinois Avenue  
Sheboygan. WI 53081  
USA

T +1 920 4574891  
F +1 920 4514276

[td.usa@gardnerdenver.com](mailto:td.usa@gardnerdenver.com)

**Gardner Denver Thomas Pneumatic Systems (Wuxi) Co., Ltd.**

No. 1 New Dong An Road, Shuofang Town, Wuxi, Xinwu District  
Jiangsu 214142  
China

T +86 510 6878 2258  
F +86 510 6878 2200

[thomas.cn@gardnerdenver.com](mailto:thomas.cn@gardnerdenver.com)

The information presented in this material is based on technical data and test results of nominal units. It is believed to be accurate and reliable and is offered as an aid to help in the selection of Thomas products. It is the responsibility of the user to determine the suitability of the product for the intended use and the user assumes all risk and liability in connection therewith. Thomas does not warrant, guarantee or assume any obligation or liability in connection with this information.

Models presented in this catalog are representative of the product family. Photos of products pictured in this catalog do not necessarily represent a specific model number. To obtain further information for custom options, contact your local Thomas office.

Printed in Germany Form No. 17007010 04/2022 © Gardner Denver Thomas GmbH. All rights reserved.