

### FEATURES

- > Outstanding air-liquid mixture handling capability
- > Oil resistance and anti-corrosion feature
- > Easy assembly for better serviceability
- > Low sound and vibration levels
- > Consistent performance
- > Higher reliability for stable daily operation

### TYPICAL APPLICATIONS

- > Autoclave

### BASE MODEL

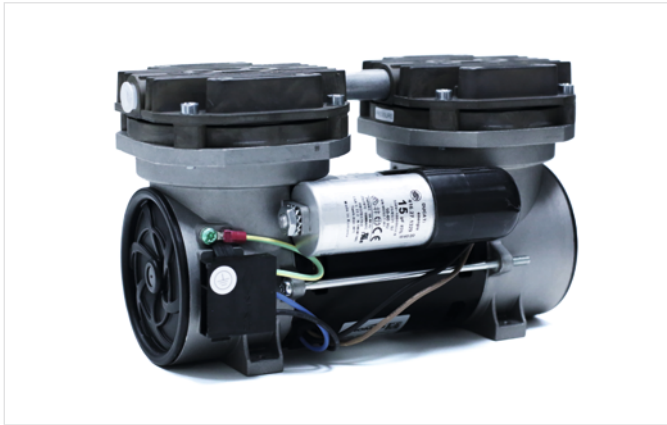
8311 ZVR AC



Diaphragm

# Diaphragm Pump 8311ZVR AC

Flow	40 l/min
Max. Vacuum	97 %



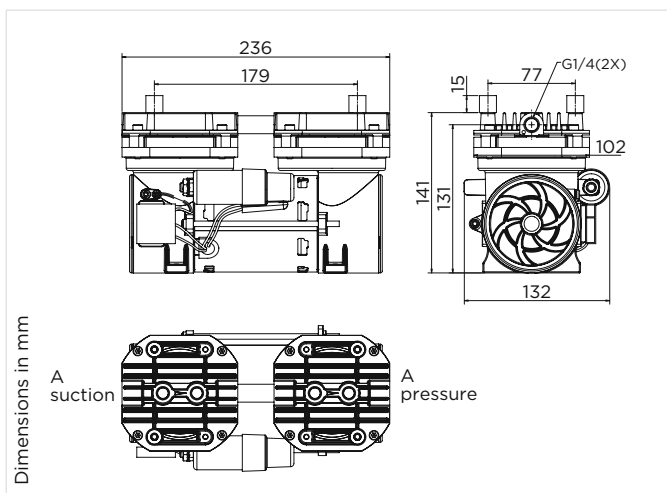
## PNEUMATIC DATA

Description	8311ZVR/4.2/HHF/AC
Part number	83112202
Max. flow	40.0 l/min
Max. intermittent vacuum	97 %
Max. continuous vacuum	97 %
Max. restart vacuum	Ambient

## OPERATING CONDITIONS\*

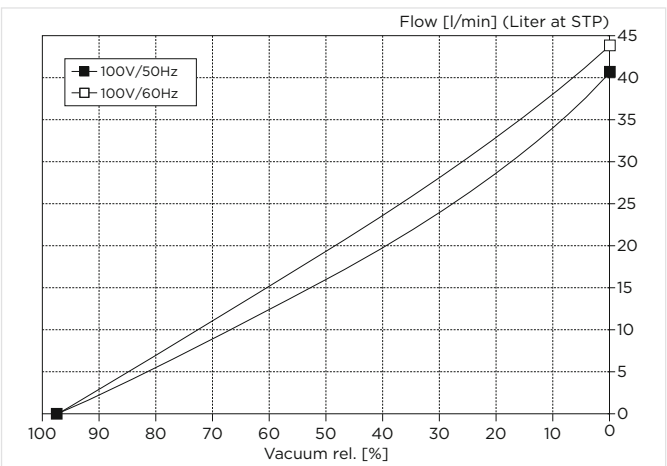
Ambient temperature	5 to 40 °C
Media temperature	10 to 60 °C
Weight	5.4 kg
Port direction	AA
Configuration	Series
Pneumatic connection	G1/4

## DIMENSIONAL DRAWING



The information presented in this material is based on technical data and test results of nominal units. It is believed to be accurate and reliable and is offered as an aid to help in the selection of Thomas products. It is the responsibility of the user to determine the suitability of the product for the intended use and the user assumes all risk and liability whatsoever in connection therewith. Thomas does not warrant, guarantee or assume any obligation or liability in connection with this information.

## FLOW CURVES



## ELECTRICAL DATA

Motor type	Capacitor	
Nominal voltage	100 V 50 Hz	100 V 60 Hz
Nominal speed	1350 rpm	1650 rpm
Current consumption	1.4 A	1.8 A
Starting current	2.8 A	2.8 A
Power consumption	135 W	180 W
Protection class	IP00	
Motor insulation class	F	
Thermal switch	150 °C	

## MODEL KEY

8311 - Z - V - R - 4.2 - H - H - F - AC

Pos	Options	Description
1	8311	Product Line
2	Z	Double Head
3	V	Vacuum
4	R	Series
5	4.2	Eccentric
6	H	HNBR Diaphragm
7	H	HNBR Valve
8	F	FKM O-Ring
9	AC	Motor Type

## WETTED PARTS

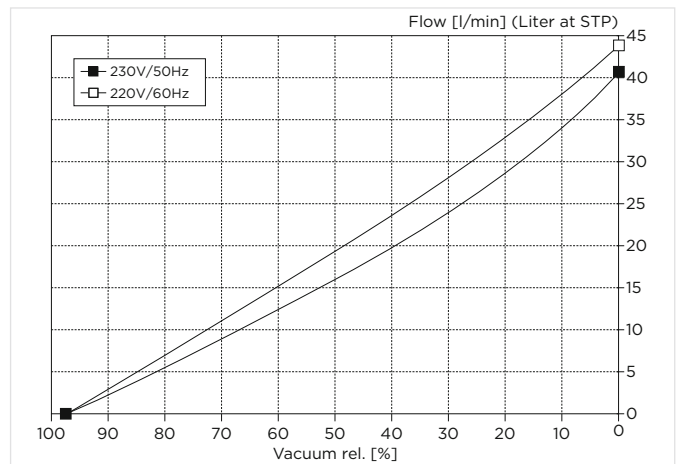
Pump head	Aluminium with anodizing
Chamber	Aluminium with anodizing
Diaphragm	HNBR
Valve	HNBR
O-ring	FKM

# Diaphragm Pump 8311ZVR AC

<b>Flow</b>	<b>43 l/min</b>
<b>Max. Vacuum</b>	<b>97 %</b>



## FLOW CURVES



## PNEUMATIC DATA

Description	8311ZVR/4.2/HHF/AC
Part number	83112002
Max. flow	43.0 l/min
Max. intermittent vacuum	97 %
Max. continuous vacuum	97 %
Max. restart vacuum	Ambient

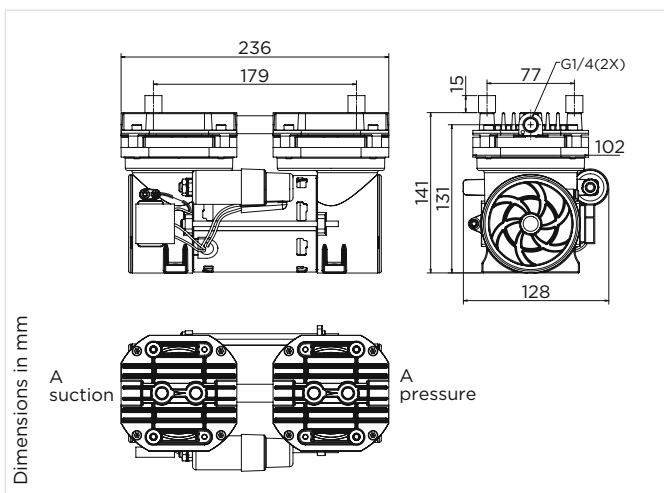
## OPERATING CONDITIONS\*

Ambient temperature	5 to 40 °C
Media temperature	10 to 60 °C
Weight	5.4 kg
Port direction	AA
Configuration	Series
Pneumatic connection	G1/4

## ELECTRICAL DATA

Motor type	Capacitor	
Nominal voltage	230 V 50 Hz	220V 50/60 Hz
Nominal speed	1350 rpm	1650 rpm
Current consumption	0.65 A	0.8 A
Starting current	1.0 A	1.1 A
Power consumption	145 W	180 W
Protection class	IP00	
Motor insulation class	F	
Thermal switch	150 °C	

## DIMENSIONAL DRAWING



## MODEL KEY

**8311 - Z - V - R - 4.2 - H - H - F - AC**

Pos	Options	Description
1	8311	Product Line
2	Z	Double Head
3	V	Vacuum
4	R	Series
5	4.2	Eccentric
6	H	HNBR Diaphragm
7	H	HNBR Valve
8	F	FKM O-Ring
9	AC	Motor Type

## WETTED PARTS

Pump head	Aluminium with anodizing
Chamber	Aluminium with anodizing
Diaphragm	HNBR
Valve	HNBR
O-ring	FKM

The information presented in this material is based on technical data and test results of nominal units. It is believed to be accurate and reliable and is offered as an aid to help in the selection of Thomas products. It is the responsibility of the user to determine the suitability of the product for the intended use and the user assumes all risk and liability whatsoever in connection therewith. Thomas does not warrant, guarantee or assume any obligation or liability in connection with this information.

PUMP AND COMPRESSOR SOLUTIONS FOR OEMS WORLDWIDE

[gd-thomas.com](http://gd-thomas.com)



**Gardner Denver Thomas GmbH**

Livry-Gargan-Str. 10  
82256 Fürstenfeldbruck  
Germany

T +49 8141 2280 0  
F +49 8141 8892136

[thomas.de@gardnerdenver.com](mailto:thomas.de@gardnerdenver.com)

**Gardner Denver Thomas. Inc.**

1419 Illinois Avenue  
Sheboygan. WI 53081  
USA

T +1 920 4574891  
F +1 920 4514276

[td.usa@gardnerdenver.com](mailto:td.usa@gardnerdenver.com)

**Gardner Denver Thomas Pneumatic Systems (Wuxi) Co., Ltd.**

No. 1 New Dong An Road, Shuofang Town, Wuxi, Xinwu District  
Jiangsu 214142  
China

T +86 510 6878 2258  
F +86 510 6878 2200

[thomas.cn@gardnerdenver.com](mailto:thomas.cn@gardnerdenver.com)

The information presented in this material is based on technical data and test results of nominal units. It is believed to be accurate and reliable and is offered as an aid to help in the selection of Thomas products. It is the responsibility of the user to determine the suitability of the product for the intended use and the user assumes all risk and liability in connection therewith. Thomas does not warrant, guarantee or assume any obligation or liability in connection with this information.

Models presented in this catalog are representative of the product family. Photos of products pictured in this catalog do not necessarily represent a specific model number. To obtain further information for custom options, contact your local Thomas office.

Printed in Germany Form No. 83112002 09/2021 © Gardner Denver Thomas GmbH. All rights reserved.