

FEATURES

- > High flow to size ratio
- > Virtually pulsation free
- > Precise/stable flow output
- > Very low sound/vibration levels
- > Easily serviced integral intake filter
- > Rugged, lightweight, compact design
- > Corrosion resistant exterior
- > IP54 (AC) IP55 (DC) protection class
- > UL, CE Agency listed products
- > RoHS/REACH compliant
- > Service kits/accessories available

TYPICAL APPLICATIONS

- > Air and gas sampling/analyzers
- > Food and beverage packaging/processing equipment
- > Lab automation workstations
- > Leak detection systems
- > Endoscopy to endoscopy
- > Pick and place automation
- > Pollution fume extraction
- > Pond aeration
- > Printing equipment
- > Vacuum clamping/holding/lifting

BASE MODEL

- VTE 3
- DTE 3
- VTE 6
- DTE 6
- VTE 8
- DTE 8
- VTE 10
- DTE 10



Rotary

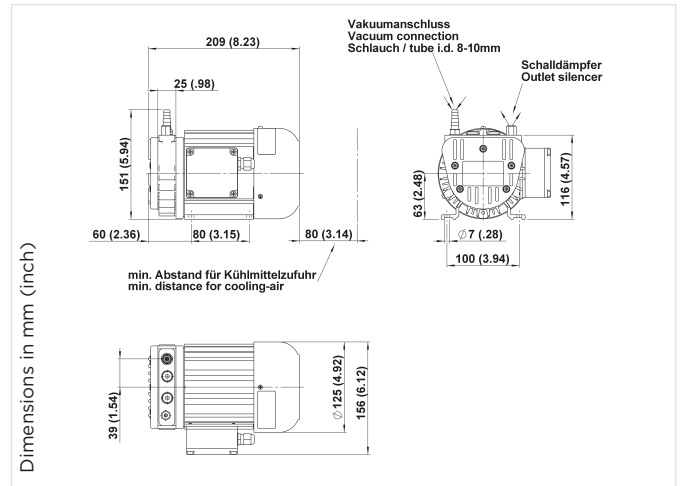
PICOLINO Rotary Vane Pumps

PRODUCT OVERVIEW

Model	Flow	Max. vacuum	Max. pressure	Page
 VTE 3	3.5/4.2 m ³ /hr (2.0/2.5 cfm)	-850 mbar (25.0"Hg)	-	3
 DTE 3	3.5/4.2 m ³ /hr (2.0/2.5 cfm)	-	1.0 bar (14.5 psi)	4
 VTE 6	6.0/7.2 m ³ /hr (3.5/4.2 cfm)	-850 mbar (25.0"Hg)	-	5
 DTE 6	6.0/7.2 m ³ /hr (3.5/4.2 cfm)	-	1.0 bar (14.5 psi)	6
 VTE 8	8.0/9.6 m ³ /hr (4.7/5.6 cfm)	-850 mbar (25.0"Hg)	-	7
 DTE 8	8.0/9.6 m ³ /hr (4.7/5.6 cfm)	-	1.0 bar (14.5 psi)	8
 VTE 10	10.0/12.0 m ³ /hr (5.9/7.0 cfm)	-850 mbar (25.0"Hg)	-	9
 DTE 10	10.0/12.0 m ³ /hr (5.9/7.0 cfm)	-	1.0 bar (14.5 psi)	10

Rotary Vane Pump VTE 3

Flow	3.5/4.2 m³/h (2.0/2.5 cfm)
Max. vacuum	-850 mbar (25.0"Hg)



PNEUMATIC DATA

Description	VTE 3 230/50/60	VTE 3 115/50/60	VTE 3 Three-phase 50/60	VTE 3 24 DC
Part number	25130110	25130111	25130113	25130172
Max. flow	3.5/4.2 m ³ /h (2.0/2.5 cfm)	3.5/4.2 m ³ /h (2.0/2.5 cfm)	3.5/4.2 m ³ /h (2.0/2.5 cfm)	3.5 m ³ /h (2.0 cfm)
Max. intermittent vacuum	-850 mbar (25.0"Hg)	-850 mbar (25.0"Hg)	-850 mbar (25.0"Hg)	-850 mbar (25.0"Hg)
Max. continuous vacuum	-850 mbar (25.0"Hg)	-850 mbar (25.0"Hg)	-850 mbar (25.0"Hg)	-850 mbar (25.0"Hg)

ELECTRICAL DATA

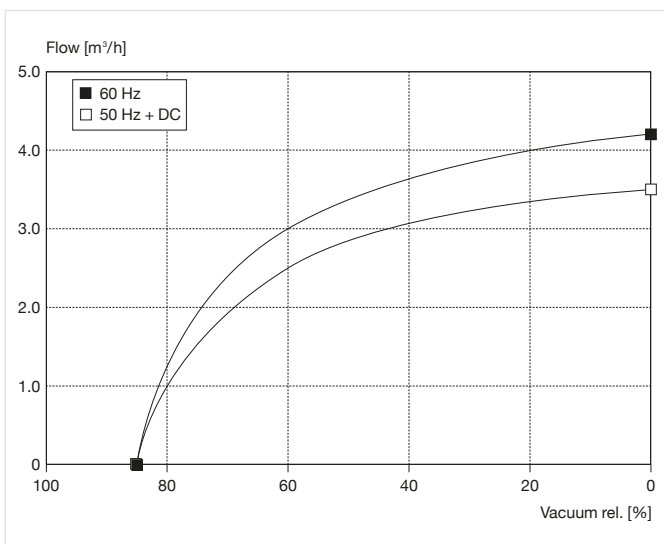
Motor type	Capacitor	Capacitor	Three-phase	Permanent magnet
Nominal voltage	230 V ±10% 50/60 Hz	100 V ±10% 50 Hz	200-255/346-440 V 50 Hz	24 V DC
		100-115 V ±10% 60 Hz	200-277/346-480 V 60 Hz	24 V DC
Nominal speed	2750/3250 rpm	2750/3300 rpm	2860/3360 rpm	2850 rpm
Motor rating	0.120/0.145 kW	0.120/0.145 kW	0.120/0.145 kW	0.120 kW
Current consumption	1.3/1.4 A	2.7/2.9 A	1.12/0.71/1.02/0.62 A	10.5 A
Motor insulation class	F	F	F	F
Protection class	IP54	IP54	IP54	IP55
Thermal protector	yes	yes	no	no
Regulatory approval	cURus, CE	cURus	CE	-

GENERAL DATA

Ambient temperature	0 to 50 °C (32 to 122°F)	0 to 50 °C (32 to 122°F)	0 to 50 °C (32 to 122°F)	0 to 50 °C (32 to 122°F)
Weight	6.5 kg (14.3 lbs)	6.5 kg (14.3 lbs)	6.5 kg (14.3 lbs)	7.9 kg (17.4 lbs)
Direction of rotation	ccw	ccw	ccw	ccw
Average noise level	55/57 dB (A)	55/57 dB (A)	55/57 dB (A)	62 dB (A)

All listed flow values relate to air at the pump inlet condition (i.e. expanded under vacuum).
Further information (general usage, installation, servicing etc.) is available in the operating instructions manual.

FLOW CURVES



SUPPLIED AS STANDARD

- Tube connector G 1/8 (Tube I.D. 8 - 10 mm)
- Outlet silencer G 1/8

ACCESSORIES

- Vacuum regulator ZRV 6 G 1/8 (part number 31430)
- Non-return valve ZRK 6 G 1/8 (part number 61802)

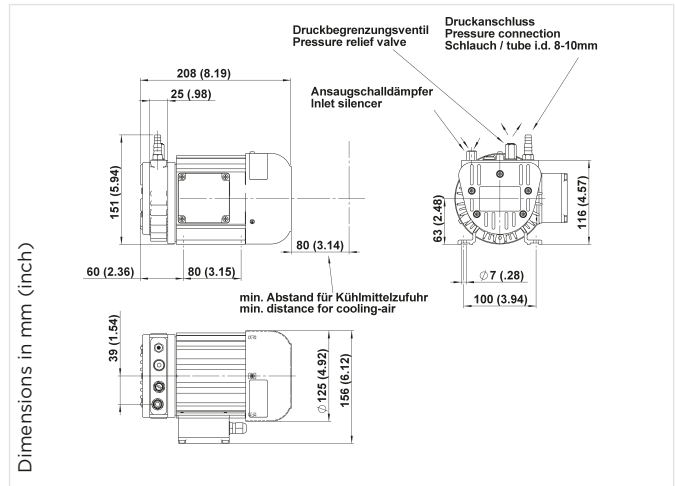
SERVICE PARTS

- Service kit (part number 25130104) consists of:
- 4 x Vanes
 - 1 x Filter cartridge
 - 2 x Filter seal (ring)
 - 1 x Filter seal
 - 3 x Gasket (copper)
 - 1 x O-ring (inside silencer)

2513... Stock programme

Rotary Vane Pump DTE 3

Flow	3.5/4.2 m³/h (2.0/2.5 cfm)
Max. pressure	1.0 bar (14.5 psi)



PNEUMATIC DATA

Description	DTE 3 230/50/60	DTE 3 115/50/60	DTE 3 Three-phase 50/60	DTE 3 24 DC
Part number	25140210	25140211	25140213	25140272
Max. flow	3.5/4.2 m ³ /h (2.0/2.5 cfm)	3.5/4.2 m ³ /h (2.0/2.5 cfm)	3.5/4.2 m ³ /h (2.0/2.5 cfm)	3.5 m ³ /h (2.0 cfm)
Max. intermittent pressure	1.0 bar (14.5 psi)	0.8 bar (11.6 psi)	1.0 bar (14.5 psi)	1.0 bar (14.5 psi)
Max. continuous pressure	1.0 bar (14.5 psi)	0.8 bar (11.6 psi)	1.0 bar (14.5 psi)	1.0 bar (14.5 psi)

ELECTRICAL DATA

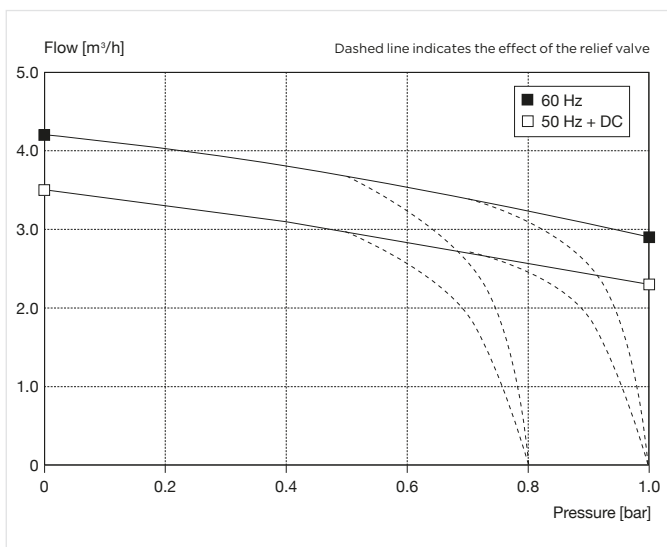
Motor type	Capacitor	Capacitor	Three-phase	Permanent magnet
Nominal voltage	230 V ±10% 50/60 Hz	100 V ±10% 50 Hz 100-115 V ±10% 60 Hz	200-255/346-440 V 50 Hz 200-277/346-480 V 60 Hz	24 V DC
Nominal speed	2750/3250 rpm	2750/3300 rpm	2860/3360 rpm	2850 rpm
Motor rating	0.120/0.145 kW	0.120/0.145 kW	0.120/0.145 kW	0.120 kW
Current consumption	1.3/1.4 A	2.7/2.9 A	1.12/0.71/1.02/0.62 A	10.5 A
Motor insulation class	F	F	F	F
Protection class	IP54	IP54	IP54	IP55
Thermal protector	yes	yes	no	no
Regulatory approval	cURus, CE	cURus	CE	-

GENERAL DATA

Ambient temperature	0 to 50 °C (32 to 122°F)	0 to 50 °C (32 to 122°F)	0 to 50 °C (32 to 122°F)	0 to 50 °C (32 to 122°F)
Weight	6.5 kg (14.3 lbs)	6.5 kg (14.3 lbs)	6.5 kg (14.3 lbs)	7.9 kg (17.4 lbs)
Direction of rotation	ccw	ccw	ccw	ccw
Average noise level	57/58 dB (A)	57/58 dB (A)	57/58 dB (A)	64 dB (A)

All listed flow values relate to air at standard atmospheric conditions. Further information (general usage, installation, servicing etc.) is available in the operating instructions manual.

FLOW CURVES



SUPPLIED AS STANDARD

- Tube connector G 1/8 (Tube I.D. 8 - 10 mm)
- Inlet silencer G 1/8
- Pressure relief valve (0.8/1.0 bar) G 1/8

SERVICE PARTS

- Service kit (part number 25130104) consists of:
- 4 x Vanes
 - 1 x Filter cartridge
 - 2 x Filter seal (ring)
 - 1 x Filter seal
 - 3 x Gasket (copper)
 - 1 x O-ring (only for VTE needed)

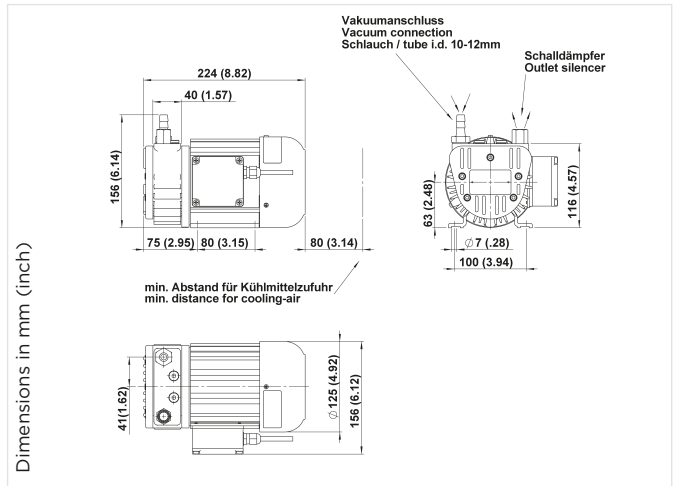
ACCESSORIES

- Pressure regulator ZRD 6 G 1/8 (part number 31429)
- Non-return valve ZRK 6 G 1/8 (part number 61802)

2514... Stock programme

Rotary Vane Pump VTE 6

Flow	6.0/7.2 m³/h (3.5/4.2 cfm)
Max. vacuum	-850 mbar (25.0"Hg)



PNEUMATIC DATA

Description	VTE 6 230/50/60	VTE 6 115/50/60	VTE 6 Three-phase 50/60
Part number	25160112	25160120	25160114
Max. flow	6.0/7.2 m ³ /h (3.5/4.2 cfm)	6.0/7.2 m ³ /h (3.5/4.2 cfm)	6.0/7.2 m ³ /h (3.5/4.2 cfm)
Max. intermittent vacuum	-850 mbar (25.0"Hg)	-850 mbar (25.0"Hg)	-850 mbar (25.0"Hg)
Max. continuous vacuum	-850 mbar (25.0"Hg)	-850 mbar (25.0"Hg)	-850 mbar (25.0"Hg)

ELECTRICAL DATA

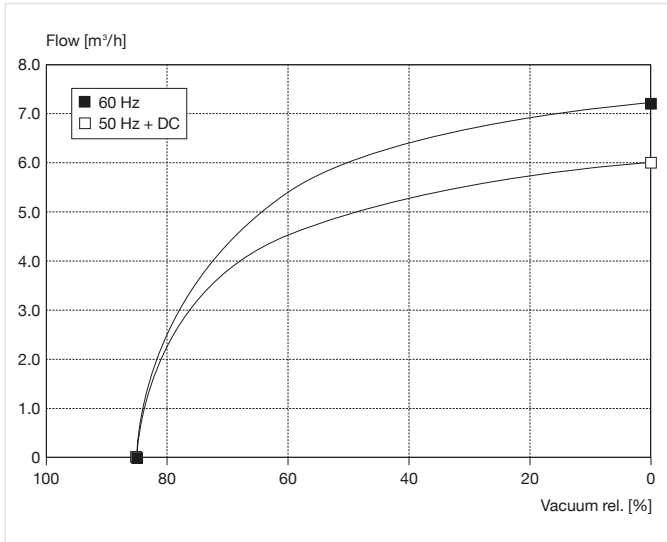
Motor type	Capacitor	Capacitor	Three-phase
Nominal voltage	230 V ±10% 50/60 Hz	100 V ±10% 50 Hz 100-115 V ±10% 60 Hz	200-255/346-440 V 50 Hz 200-277/346-480 V 60 Hz
Nominal speed	2700/3150 rpm	2700/3250 rpm	2800/3320 rpm
Motor rating	0.25/0.30 kW	0.25/0.30 kW	0.25/0.30 kW
Current consumption	2.3/2.5 A	5.0/5.2 A	1.4/0.81/1.6/0.9 A
Motor insulation class	F	B	B
Protection class	IP54	IP54	IP54
Thermal protector	yes	yes	no
Regulatory approval	cURus, CE	cURus	CE

GENERAL DATA

Ambient temperature	0 to 50 °C (32 to 122°F)	0 to 50 °C (32 to 122°F)	0 to 50 °C (32 to 122°F)
Weight	7.5 kg (16.5 lbs)	7.5 kg (16.5 lbs)	7.5 kg (16.5 lbs)
Direction of rotation	ccw	ccw	ccw
Average noise level	57/59 dB (A)	57/59 dB (A)	57/59 dB (A)

All listed flow values relate to air at the pump inlet condition (i.e. expanded under vacuum).
Further information (general usage, installation, servicing etc.) is available in the operating instructions manual.

FLOW CURVES



SUPPLIED AS STANDARD

- Tube connector G 3/8 (Tube I.D. 10 – 12 mm)
- Outlet silencer G 3/8

ACCESSORIES

- Vacuum regulator ZRV 6 G 1/8 (part number 31430)
- Non-return valve ZRK 12 G 3/8 (part number 61803)

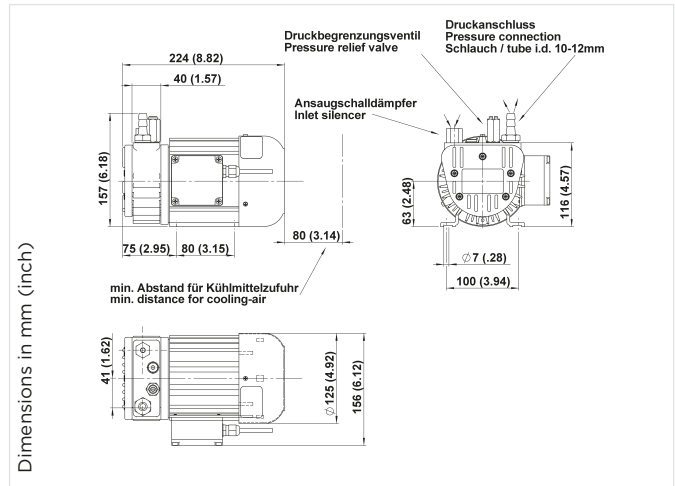
SERVICE PARTS

- Service kit (part number 25160104) consists of:
- 4 x Vanes
 - 1 x Filter cartridge
 - 2 x Filter seal (ring)
 - 1 x Filter seal
 - 3 x Gasket (copper)
 - 1 x O-ring (inside silencer)

2516... Stock programme

Rotary Vane Pump DTE 6

Flow	6.0/7.2 m³/h (3.5/4.2 cfm)
Max. pressure	1.0 bar (14.5 psi)



PNEUMATIC DATA

Description	DTE 6 230/50/60	DTE 6 115/50/60	DTE 6 Three-phase 50/60
Part number	25170212	25170220	25170214
Max. flow	6.0/7.2 m ³ /h (3.5/4.2 cfm)	6.0/7.2 m ³ /h (3.5/4.2 cfm)	6.0/7.2 m ³ /h (3.5/4.2 cfm)
Max. intermittent pressure	1.0 bar (14.5 psi)	1.0 bar (14.5 psi)	1.0 bar (14.5 psi)
Max. continuous pressure	1.0 bar (14.5 psi)	1.0 bar (14.5 psi)	1.0 bar (14.5 psi)

ELECTRICAL DATA

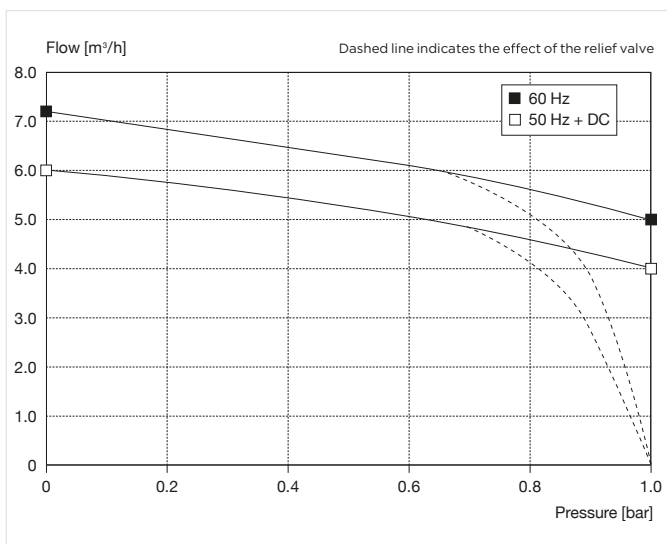
Motor type	Capacitor	Capacitor	Three-phase
Nominal voltage	230 V ±10% 50/60 Hz	100 V ±10% 50 Hz 100-115 V ±10% 60 Hz	200-255/346-440 V 50 Hz 200-277/346-480 V 60 Hz
Nominal speed	2700/3150 rpm	2700/3250 rpm	2800/3320 rpm
Motor rating	0.25/0.30 kW	0.25/0.30 kW	0.25/0.30 kW
Current consumption	2.3/2.5 A	5.0/5.2 A	1.4/0.81/1.6/0.9 A
Motor insulation class	F	B	B
Protection class	IP54	IP54	IP54
Thermal protector	yes	yes	no
Regulatory approval	cURus, CE	cURus	CE

GENERAL DATA

Ambient temperature	0 to 50 °C (32 to 122°F)	0 to 50 °C (32 to 122°F)	0 to 50 °C (32 to 122°F)
Weight	7.5 kg (16.5 lbs)	7.5 kg (16.5 lbs)	7.5 kg (16.5 lbs)
Direction of rotation	ccw	ccw	ccw
Average noise level	60/61 dB (A)	60/61 dB (A)	60/61 dB (A)

All listed flow values relate to air at standard atmospheric conditions.
Further information (general usage, installation, servicing etc.) is available in the operating instructions manual.

FLOW CURVES



SUPPLIED AS STANDARD

- Tube connector G 3/8 (Tube I.D. 10 - 12 mm)
- Inlet silencer G 3/8
- Pressure relief valve (1.0 bar) G 1/8

SERVICE PARTS

- Service kit (part number 25160104) consists of:
- 4 x Vanes
 - 1 x Filter cartridge
 - 2 x Filter seal (ring)
 - 1 x Filter seal
 - 3 x Gasket (copper)
 - 1 x O-ring (only for VTE needed)

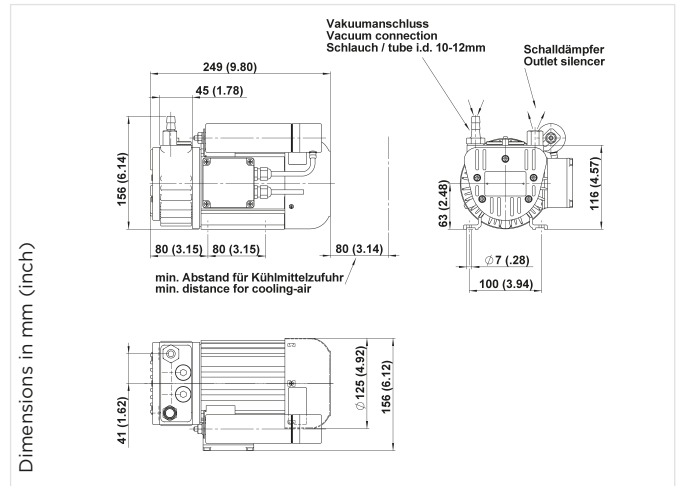
ACCESSORIES

- Pressure regulator ZRD 6 G 1/8 (part number 31429)
- Non-return valve ZRK 12 G 3/8 (part number 61803)

2517... Stock programme

Rotary Vane Pump VTE 8

Flow	8.0/9.6 m³/h (4.7/5.6 cfm)
Max. vacuum	-850 mbar (25.0"Hg)



PNEUMATIC DATA

Description	VTE 8 230/50/60	VTE 8 115/50/60	VTE 8 Three-phase 50/60	VTE 8 24 DC
Part number	23630125	23630126	23630127	23630173
Max. flow	8.0/9.6 m ³ /h (4.7/5.6 cfm)	8.0/9.6 m ³ /h (4.7/5.6 cfm)	8.0/9.6 m ³ /h (4.7/5.6 cfm)	8.0 m ³ /h (4.7 cfm)
Max. intermittent vacuum	-850 mbar (25.0"Hg)	-850 mbar (25.0"Hg)	-850 mbar (25.0"Hg)	-850 mbar (25.0"Hg)
Max. continuous vacuum	-850 mbar (25.0"Hg)	-850 mbar (25.0"Hg)	-850 mbar (25.0"Hg)	-850 mbar (25.0"Hg)

ELECTRICAL DATA

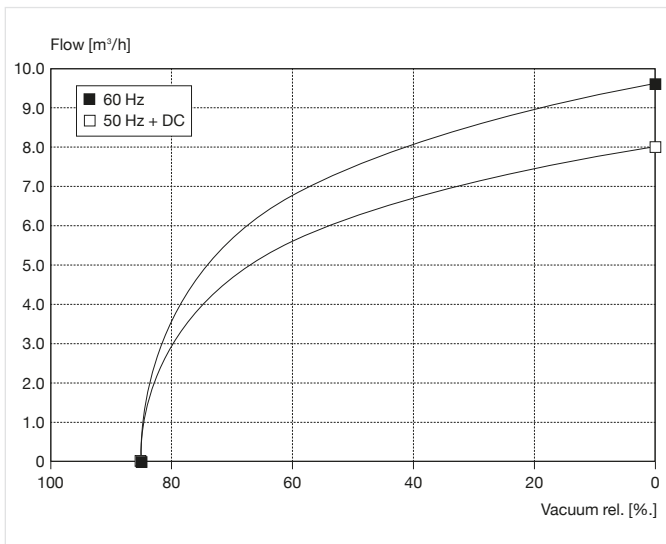
Motor type	Capacitor	Capacitor	Three-phase	Permanent magnet
Nominal voltage	230 V ±10% 50/60 Hz	100 V ±10% 50 Hz	200-255/346-440 V 50 Hz	24 V DC
		115 V ±10% 60 Hz	200-277/346-480 V 60 Hz	
Nominal speed	2700/3200 rpm	2750/3300 rpm	2850/3380 rpm	3300 rpm
Motor rating	0.35/0.42 kW	0.35/0.42 kW	0.37/0.44 kW	0.37 kW
Current consumption	3.9/3.4 A	9.0/8.4 A	2.77/1.60/2.25/1.30 A	21 A
Motor insulation class	F	F	F	F
Protection class	IP54	IP54	IP54	IP55
Thermal protector	yes	yes	no	no
Regulatory approval	cURus, CE	cURus	cURus, CE	-

GENERAL DATA

Ambient temperature	0 to 50 °C (32 to 122°F)	0 to 50 °C (32 to 122°F)	0 to 50 °C (32 to 122°F)	0 to 50 °C (32 to 122°F)
Weight	8.0 kg (17.6 lbs)	8.0 kg (17.6 lbs)	8.0 kg (17.6 lbs)	9.2 kg (20.3 lbs)
Direction of rotation	ccw	ccw	ccw	ccw
Average noise level	59/61 dB (A)	59/61 dB (A)	59/61 dB (A)	66 dB (A)

All listed flow values relate to air at the pump inlet condition (i.e. expanded under vacuum).
Further information (general usage, installation, servicing etc.) is available in the operating instructions manual.

FLOW CURVES



SUPPLIED AS STANDARD

- Tube connector G 3/8 (Tube I.D. 10 – 12 mm)
- Outlet silencer G 3/8

ACCESSORIES

- Vacuum regulator ZRV 12 G 3/8 (part number 31490)
- Non-return valve ZRK 12 G 3/8 (part number 61803)

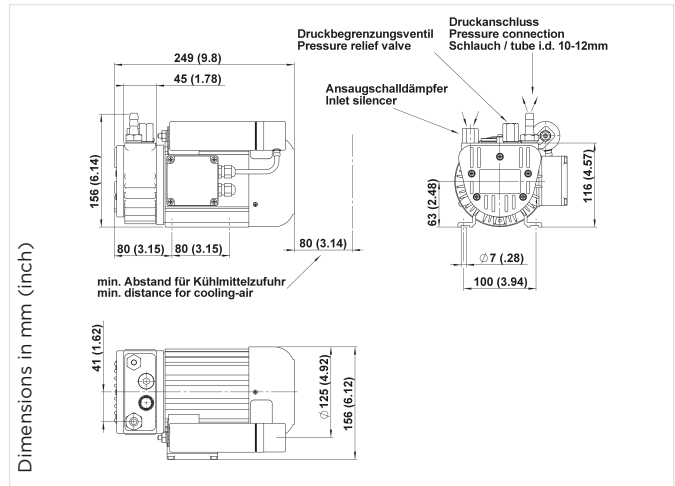
SERVICE PARTS

- Service kit (part number 23630104) consists of:
- 4 x Vanes
 - 1 x Filter cartridge
 - 2 x Filter seal (ring)
 - 1 x Filter seal
 - 3 x Gasket (copper)
 - 1 x O-ring (inside silencer)

2363... Stock programme

Rotary Vane Pump DTE 8

Flow	8.0/9.6 m³/h (4.7/5.6 cfm)
Max. pressure	1.0 bar (14.5 psi)



PNEUMATIC DATA

Description	DTE 8 230/50/60	DTE 8 115/50/60	DTE 8 Three-phase 50/60	DTE 8 24 DC
Part number	23660225	23660226	23660227	23660273
Max. flow	8.0/9.6 m ³ /h (4.7/5.6 cfm)	8.0/9.6 m ³ /h (4.7/5.6 cfm)	8.0/9.6 m ³ /h (4.7/5.6 cfm)	8.0 m ³ /h (4.7 cfm)
Max. intermittent pressure	0.8 bar (11.6 psi)	0.8 bar (11.6 psi)	1.0 bar (14.5 psi)	1.0 bar (14.5 psi)
Max. continuous pressure	0.8 bar (11.6 psi)	0.8 bar (11.6 psi)	1.0 bar (14.5 psi)	1.0 bar (14.5 psi)

ELECTRICAL DATA

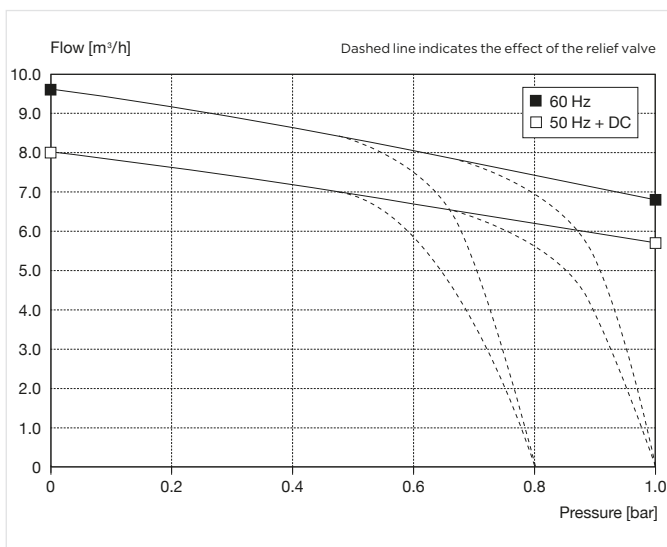
Motor type	Capacitor	Capacitor	Three-phase	Permanent magnet
Nominal voltage	230 V ±10% 50/60 Hz	100 V ±10% 50 Hz 115 V ±10% 60 Hz	200-255/346-440 V 50 Hz 200-277/346-480 V 60 Hz	24 V DC
Nominal speed	2700/3200 rpm	2750/3300 rpm	2850/3380 rpm	3300 rpm
Motor rating	0.35/0.42 kW	0.35/0.42 kW	0.37/0.44 kW	0.37 kW
Current consumption	3.9/3.4 A	9.0/8.4 A	2.77/1.60/2.25/1.30 A	21 A
Motor insulation class	F	F	F	F
Protection class	IP54	IP54	IP54	IP55
Thermal protector	yes	yes	no	no
Regulatory approval	cURus, CE	cURus	cURus, CE	-

GENERAL DATA

Ambient temperature	0 to 50 °C (32 to 122°F)	0 to 50 °C (32 to 122°F)	0 to 50 °C (32 to 122°F)	0 to 50 °C (32 to 122°F)
Weight	8.0 kg (17.6 lbs)	8.0 kg (17.6 lbs)	8.0 kg (17.6 lbs)	9.2 kg (20.3 lbs)
Direction of rotation	ccw	ccw	ccw	ccw
Average noise level	62/63 dB (A)	62/63 dB (A)	62/63 dB (A)	67 dB (A)

All listed flow values relate to air at standard atmospheric conditions. Further information (general usage, installation, servicing etc.) is available in the operating instructions manual.

FLOW CURVES



SUPPLIED AS STANDARD

- Tube connector G 3/8 (Tube I.D. 10 - 12 mm)
- Inlet silencer G 3/8
- Pressure relief valve (0.6/1.0 bar) G 3/8

SERVICE PARTS

- Service kit (part number 23630104) consists of:
- 4 x Vanes
 - 1 x Filter cartridge
 - 2 x Filter seal (ring)
 - 1 x Filter seal
 - 3 x Gasket (copper)
 - 1 x O-ring (only for VTE needed)

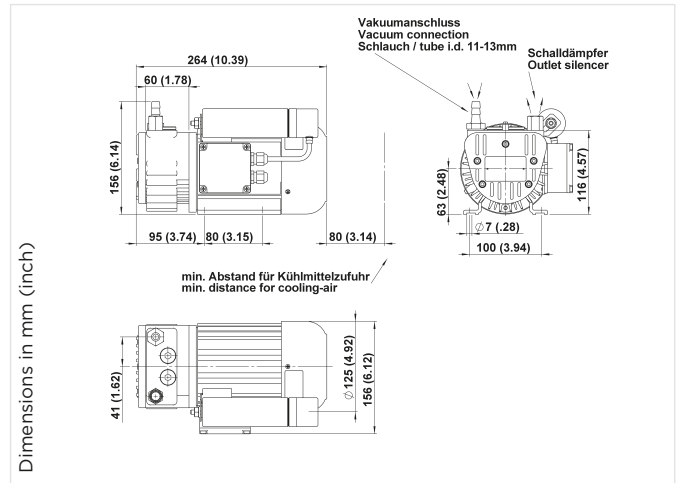
ACCESSORIES

- Pressure regulator ZRD 12 G 3/8 (part number 31431)
- Non-return valve ZRK 12 G 3/8 (part number 61803)

2366... Stock programme

Rotary Vane Pump VTE 10

Flow	10/12 m³/h (5.9/7.0 cfm)
Max. vacuum	-850 mbar (25.0"Hg)



PNEUMATIC DATA

Description	VTE 10 230/50/60	VTE 10 115/50/60	VTE 10 Three-phase 50/60	VTE 10 24 DC
Part number	27740125	27740126	27740127	27740174
Max. flow	10/12 m ³ /h (5.9/7.0 cfm)	10/12 m ³ /h (5.9/7.0 cfm)	10/12 m ³ /h (5.9/7.0 cfm)	10 m ³ /h (5.9 cfm)
Max. intermittent vacuum	-850 mbar (25.0"Hg)	-850 mbar (25.0"Hg)	-850 mbar (25.0"Hg)	-850 mbar (25.0"Hg)
Max. continuous vacuum	-850 mbar (25.0"Hg)	-850 mbar (25.0"Hg)	-850 mbar (25.0"Hg)	-850 mbar (25.0"Hg)

ELECTRICAL DATA

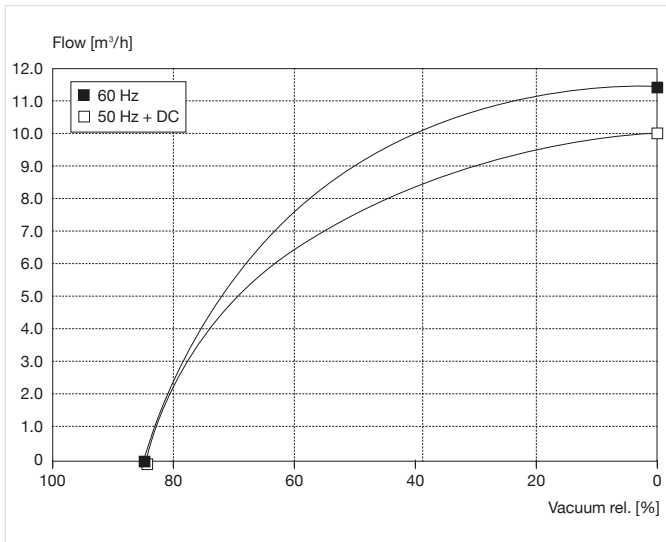
Motor type	Capacitor	Capacitor	Three-phase	Permanent magnet
Nominal voltage	230 V ±10% 50/60 Hz	100 V ±10% 50 Hz	200-255/346-440 V 50 Hz	24 V DC
		115 V ±10% 60 Hz	200-277/346-480 V 60 Hz	
Nominal speed	2700/3200 rpm	2700/3200 rpm	2850/3380 rpm	3200 rpm
Motor rating	0.35/0.42 kW	0.35/0.42 kW	0.37/0.44 kW	0.42 kW
Current consumption	3.9/3.4 A	9.0/8.4 A	2.77/1.60/2.25/1.30 A	30 A
Motor insulation class	F	F	F	F
Protection class	IP54	IP54	IP54	IP55
Thermal protector	yes	yes	no	no
Regulatory approval	CE	cRU	CE	-

GENERAL DATA

Ambient temperature	0 to 40 °C (32 to 104° F)	0 to 40 °C (32 to 104° F)	0 to 40 °C (32 to 104° F)	0 to 40 °C (32 to 104° F)
Weight	10.3 kg (22.7 lbs)	10.3 kg (22.7 lbs)	10.1 kg (22.3 lbs)	11.8 kg (26.0 lbs)
Direction of rotation	ccw	ccw	ccw	ccw
Average noise level	60/62 dB (A)	60/62 dB (A)	60/62 dB (A)	67 dB (A)

All listed flow values relate to air at the pump inlet condition (i.e. expanded under vacuum).
Further information (general usage, installation, servicing etc.) is available in the operating instructions manual.

FLOW CURVES



SUPPLIED AS STANDARD

- Tube connector G 3/8 (Tube I.D. 11 - 13 mm)
- Outlet silencer G 3/8

ACCESSORIES

- Vacuum regulator ZRV 12 G 3/8 (part number 31490)
- Non-return valve ZRK 12 G 3/8 (part number 61803)

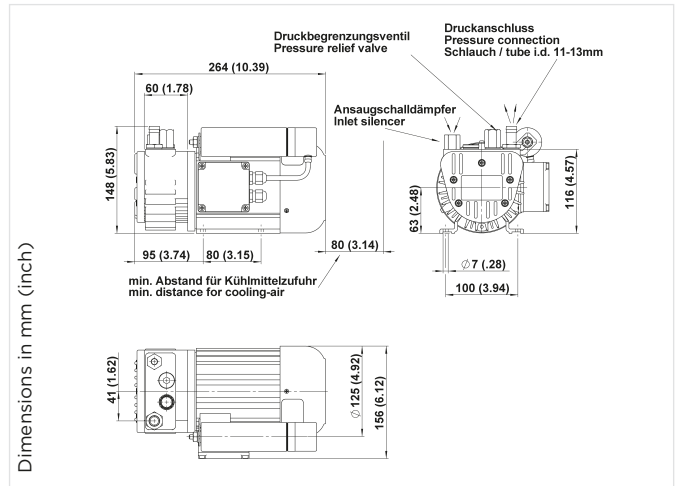
SERVICE PARTS

- Service kit (part number 27740104) consists of:
- 4 x Vanes
 - 1 x Filter cartridge
 - 1 x Filter seal (ring)
 - 1 x Filter seal
 - 3 x Gasket (copper)
 - 1 x O-ring (inside silencer)

2774... Stock programme

Rotary Vane Pump DTE 10

Flow	10/12 m³/h (5.9/7.0 cfm)
Max. pressure	1.0 bar (14.5 psi)



PNEUMATIC DATA

Description	DTE 10 230/50/60	DTE 10 115/50/60	DTE 10 Three-phase 50/60	DTE 10 24 DC
Part number	27750225	27750226	27750227	27750274
Max. flow	10/12 m ³ /h (5.9/7.0 cfm)	10/12 m ³ /h (5.9/7.0 cfm)	10/12 m ³ /h (5.9/7.0 cfm)	10 m ³ /h (5.9 cfm)
Max. intermittent pressure	0.8 bar (11.6 psi)	0.8 bar (11.6 psi)	1.0 bar (14.5 psi)	1.0 bar (14.5 psi)
Max. continuous pressure	0.8 bar (11.6 psi)	0.8 bar (11.6 psi)	1.0 bar (14.5 psi)	1.0 bar (14.5 psi)

ELECTRICAL DATA

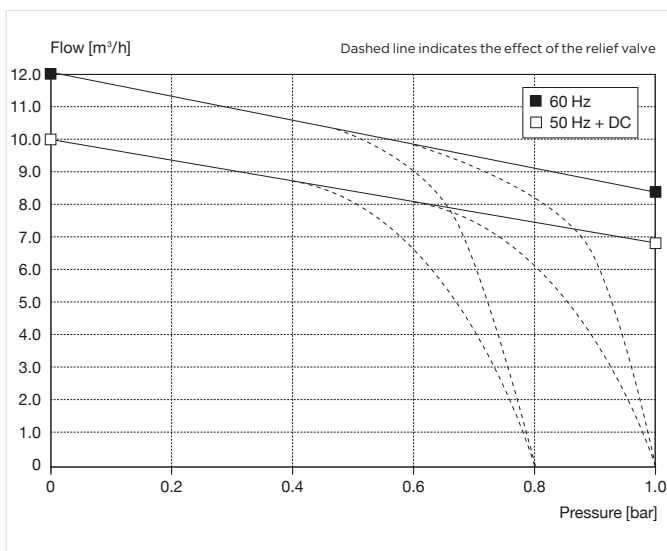
Motor type	Capacitor	Capacitor	Three-phase	Permanent magnet
Nominal voltage	230 V ±10% 50/60 Hz	100 V ±10% 50 Hz 115 V ±10% 60 Hz	200-255/346-440 V 50 Hz 200-277/346-480 V 60 Hz	24 V DC
Nominal speed	2700/3200 rpm	2700/3200 rpm	2850/3380 rpm	3200 rpm
Motor rating	0.35/0.42 kW	0.35/0.42 kW	0.37/0.44 kW	0.42 kW
Current consumption	3.9/3.4 A	9.0/8.4 A	2.77/1.60/2.25/1.30 A	30 A
Motor insulation class	F	F	F	F
Protection class	IP54	IP54	IP54	IP55
Thermal protector	yes	yes	no	no
Regulatory approval	CE	cRU	CE	-

GENERAL DATA

Ambient temperature	0 to 40 °C (32 to 104° F)	0 to 40 °C (32 to 104° F)	0 to 40 °C (32 to 104° F)	0 to 40 °C (32 to 104° F)
Weight	10.3 kg (22.7 lbs)	10.3 kg (22.7 lbs)	10.1 kg (22.3 lbs)	11.8 kg (26.0 lbs)
Direction of rotation	ccw	ccw	ccw	ccw
Average noise level	63/64 dB (A)	63/64 dB (A)	63/64 dB (A)	68 dB (A)

All listed flow values relate to air at standard atmospheric conditions.
Further information (general usage, installation, servicing etc.) is available in the operating instructions manual.

FLOW CURVES



SUPPLIED AS STANDARD

- Tube connector G 3/8 (Tube I.D. 11 - 13 mm)
- Outlet silencer G 3/8
- Pressure relief valve (0.8/1.0 bar) G 3/8

SERVICE PARTS

- Service kit (part number 27740104) consists of:
- 4 x Vanes
 - 1 x Filter cartridge
 - 1 x Filter seal (ring)
 - 1 x Filter seal
 - 3 x Gasket (copper)
 - 1 x O-ring (only for VTE needed)

ACCESSORIES

- Pressure regulator ZRD 12 G 3/8 (part number 31431)
- Non-return valve ZRK 12 G 3/8 (part number 61803)

2775... Stock programme

PUMP AND COMPRESSOR SOLUTIONS FOR OEMS WORLDWIDE

gd-thomas.com

**THOMAS**



Gardner Denver Thomas GmbH

Livry-Gargan-Str. 10
82256 Fürstenfeldbruck
Germany

T +49 8141 2280 0
F +49 8141 8892136

thomas.de@gardnerdenver.com

Gardner Denver Thomas. Inc.

1419 Illinois Avenue
Sheboygan. WI 53081
USA

T +1 920 4574891
F +1 920 4514276

td.usa@gardnerdenver.com

Gardner Denver Thomas Pneumatic Systems (Wuxi) Co., Ltd.

No. 1 New Dong An Road, Shuofang Town, Wuxi, Xinwu District
Jiangsu 214142

China
T +86 510 6878 2258
F +86 510 6878 2200

thomas.cn@gardnerdenver.com

The information presented in this material is based on technical data and test results of nominal units. It is believed to be accurate and reliable and is offered as an aid to help in the selection of Thomas products. It is the responsibility of the user to determine the suitability of the product for the intended use and the user assumes all risk and liability in connection therewith. Thomas does not warrant, guarantee or assume any obligation or liability in connection with this information.

Models presented in this catalog are representative of the product family. Photos of products pictured in this catalog do not necessarily represent a specific model number. To obtain further information for custom options, contact your local Thomas office.

Printed in Germany Form No. 17000148 05/2020 © Gardner Denver Thomas GmbH. All rights reserved.