

### FEATURES

- > Oil-less, non lubricated
- > Comfortable sound emission: low sound and vibration throughout performance range
- > Unmatched performance stability
- > Excellent reliability over lifetime

### TYPICAL APPLICATIONS

- > Medical Devices
- > Gas Detectors and Samplers
- > Laboratory Workstations and Analyzers

### BASE MODEL

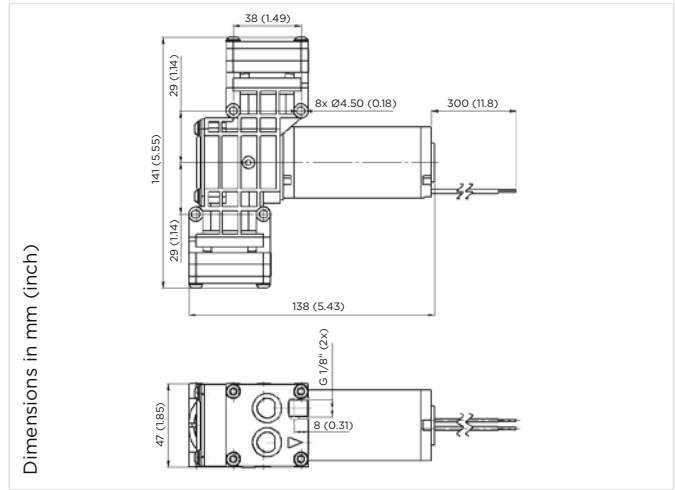
1620VD



Diaphragm

# Diaphragm Pump 1620VDP DC EPDM

Flow	16.5 l/min
Max. pressure	1.8 bar
Max. vacuum	87 %



## PNEUMATIC DATA

Description	1620VDP/2.2/E/DC	
Part number	12 V	16200000
	24 V	16200010
Max. flow	16.5 l/min	
Max. intermittent pressure	1.8 bar	
Max. continuous pressure	250 mbar	
Max. restart pressure	application dependent	
Max. intermittent vacuum	87 %	
Max. continuous vacuum	87 %	
Max. restart vacuum	87 %	

## ELECTRICAL DATA

Motor type	DC brushed
Nominal speed	2800 rpm
Nominal voltage	12 / 24 VDC
Max. power consumption	26.5 W

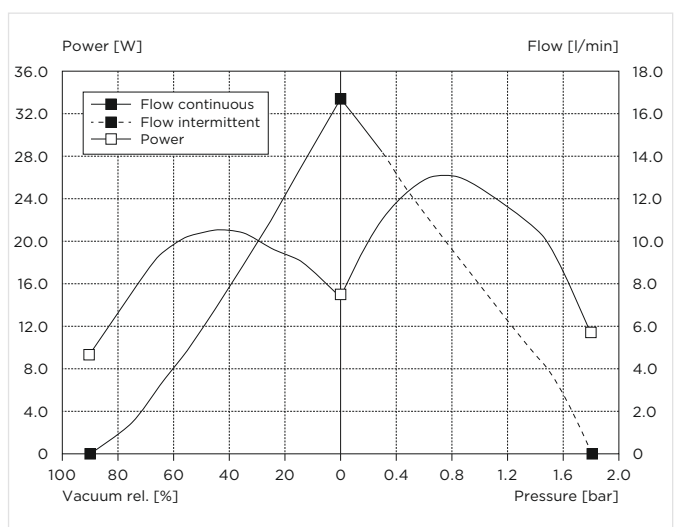
## GENERAL DATA

Ambient temperature	5 to 40 °C
Media temperature	5 to 40 °C
Weight	750 g
Port direction	DD
Pneumatic connection	thread size G1/8"
Mounting-side	through hole Ø 4.5 mm

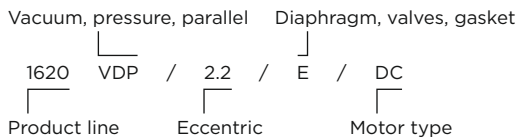
## WETTED PARTS

Pump head	PPS
Diaphragm	EPDM
Valve/gasket	EPDM

## FLOW CURVES

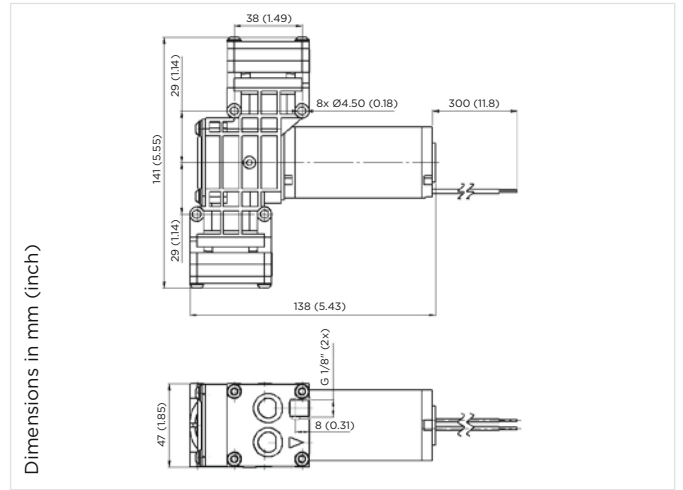


Model key:



# Diaphragm Pump 1620VDP DC FKM

Flow	16.0 l/min
Max. pressure	1.75 bar
Max. vacuum	87 %

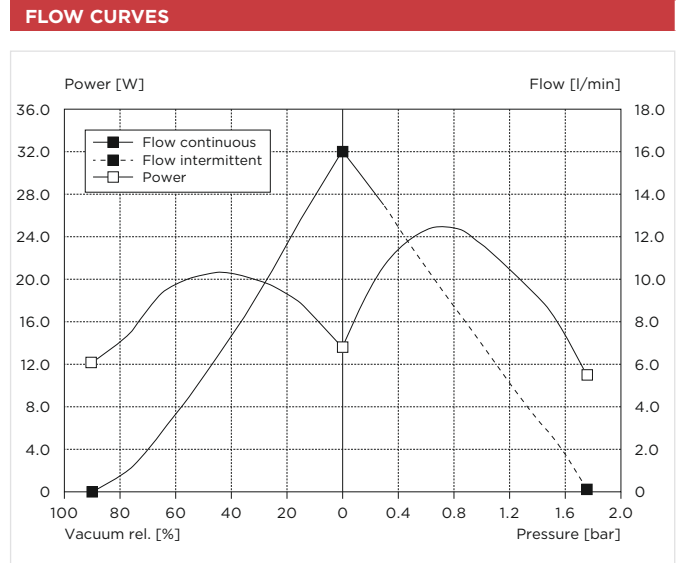


PNEUMATIC DATA		
Description	1620VDP/2.2/F/DC	
Part number	12 V	16201000
	24 V	16201010
Max. flow	16.0 l/min	
Max. intermittent pressure	1.75 bar	
Max. continuous pressure	250 mbar	
Max. restart pressure	application dependent	
Max. intermittent vacuum	87 %	
Max. continuous vacuum	87 %	
Max. restart vacuum	87 %	

ELECTRICAL DATA	
Motor type	DC brushed
Nominal speed	2800 rpm
Nominal voltage	12/24 VDC
Max. power consumption	25.0 W

GENERAL DATA	
Ambient temperature	5 to 40 °C
Media temperature	5 to 40 °C
Weight	750 g
Port direction	DD
Pneumatic connection	thread size G1/8"
Mounting-side	through hole Ø 4.5mm

WETTED PARTS	
Pump head	PPS
Diaphragm	FKM
Valve/gasket	FKM



Model key:

Vacuum, pressure, parallel Diaphragm, valves, gasket

1620 VDP / 2.2 / F / DC

Product line Eccentric Motor type



PUMP AND COMPRESSOR SOLUTIONS FOR OEMS WORLDWIDE

[gd-thomas.com](http://gd-thomas.com)



**Gardner Denver Thomas GmbH**

Livry-Gargan-Str. 10  
82256 Fürstenfeldbruck  
Germany

T +49 8141 2280 0  
F +49 8141 8892136

[thomas.de@gardnerdenver.com](mailto:thomas.de@gardnerdenver.com)

**Gardner Denver Thomas, Inc.**

1419 Illinois Avenue  
Sheboygan, WI 53081  
USA

T +1 920 4574891  
F +1 920 4514276

[td.usa@gardnerdenver.com](mailto:td.usa@gardnerdenver.com)

**Gardner Denver Thomas Pneumatic Systems (Wuxi) Co., Ltd.**

No. 1 New Dong An Road, Shuofang Town, Wuxi, Xinwu District  
Jiangsu 214142  
China

T +86 510 6878 2217  
F +86 510 6878 2200

[thomas.cn@gardnerdenver.com](mailto:thomas.cn@gardnerdenver.com)

The information presented in this material is based on technical data and test results of nominal units. It is believed to be accurate and reliable and is offered as an aid to help in the selection of Thomas products. It is the responsibility of the user to determine the suitability of the product for the intended use and the user assumes all risk and liability in connection therewith. Thomas does not warrant, guarantee or assume any obligation or liability in connection with this information.

Models presented in this catalog are representative of the product family. Photos of products pictured in this catalog do not necessarily represent a specific model number. To obtain further information for custom options, contact your local Thomas office.

Printed in Germany Form No. 17001620 02/2018 © Gardner Denver Thomas GmbH. All rights reserved.