

FEATURES

- > Oil-less, non lubricated
- > Comfortable sound emission: low sound and vibration throughout performance range
- > High evacuation speed: up to 30% faster than industry standard
- > Unmatched performance stability
- > Excellent reliability over lifetime

TYPICAL APPLICATIONS

- > Medical Devices
- > Gas Detectors and Samplers
- > Laboratory Workstations and Analyzers

BASE MODEL

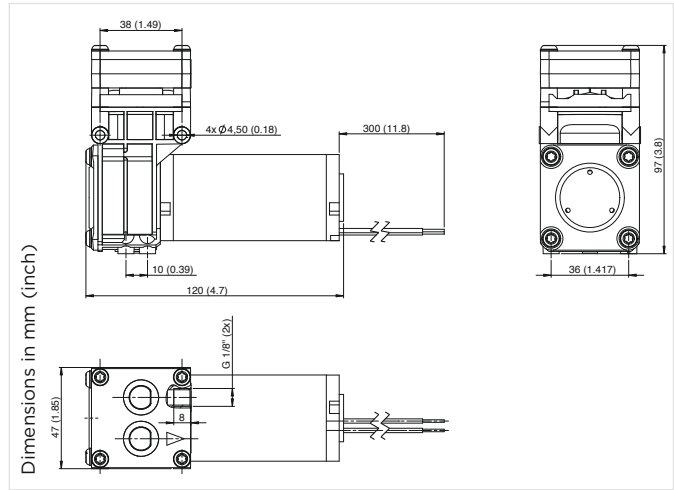
1610VD



Diaphragm

Diaphragm Pump 1610VD DC EPDM

Flow	8.0 l/min
Max. pressure	2.0 bar
Max. vacuum	90 %



PNEUMATIC DATA

Description	1610VD/2.3/E/DC	
Part number	12 V	16100000
	24 V	16100010
Max. flow	8.0 l/min	
Max. intermittent pressure	2.0 bar	
Max. continuous pressure	500 mbar	
Max. restart pressure	application dependent	
Max. intermittent vacuum	90 %	
Max. continuous vacuum	90 %	
Max. restart vacuum	90 %	

ELECTRICAL DATA

Motor type	DC brushed
Nominal speed	2800 rpm
Nominal voltage	12/24 VDC
Max. power consumption	14.5 W

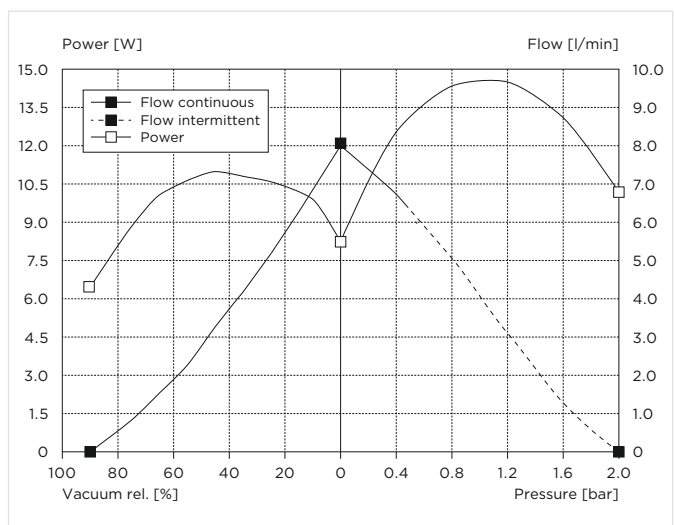
GENERAL DATA

Ambient temperature	5 to 40 °C
Media temperature	5 to 40 °C
Weight	640 g
Port direction	D
Pneumatic connection	thread size G1/8"
Mounting-base	self tapping screw Ø 4 mm (4x)
Mounting-side	through hole Ø 4.5 mm

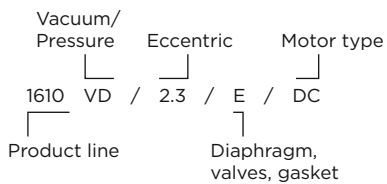
WETTED PARTS

Pump head	PPS
Diaphragm	EPDM
Valve/gasket	EPDM

FLOW CURVES

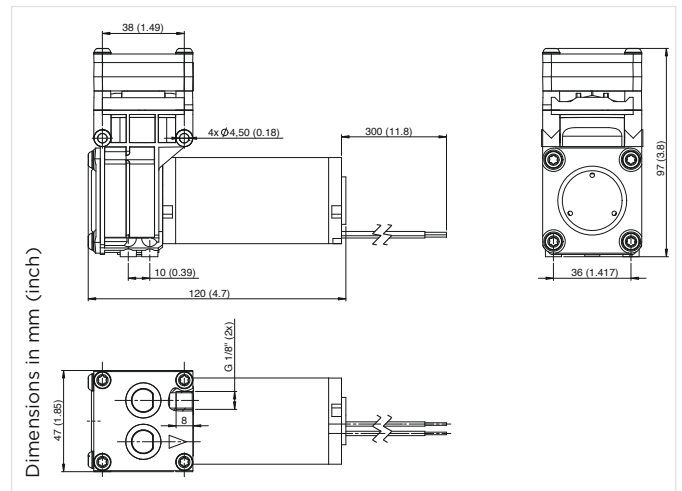


Model key:



Diaphragm Pump 1610VD DC FKM

Flow	7.9 l/min
Max. pressure	1.8 bar
Max. vacuum	90 %

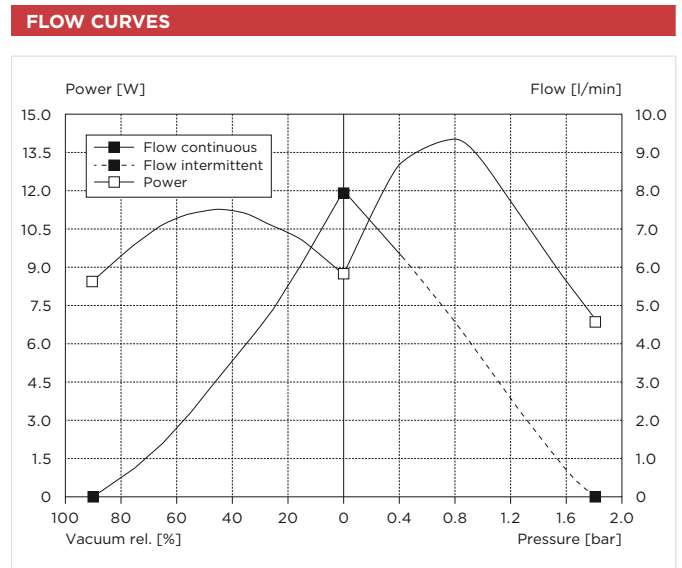


PNEUMATIC DATA		
Description	1610VD/2.3/F/DC	
Part number	12 V	16101000
	24 V	16101010
Max. flow	7.9 l/min	
Max. intermittent pressure	1.8 bar	
Max. continuous pressure	500 mbar	
Max. restart pressure	application dependent	
Max. intermittent vacuum	90 %	
Max. continuous vacuum	90 %	
Max. restart vacuum	90 %	

ELECTRICAL DATA	
Motor type	DC brushed
Nominal speed	2800 rpm
Nominal voltage	12/24 VDC
Max. power consumption	14.0 W

GENERAL DATA	
Ambient temperature	5 to 40 °C
Media temperature	5 to 40 °C
Weight	648 g
Port direction	D
Pneumatic connection	thread size G1/8"
Mounting-base	self tapping screw Ø 4 mm (4x)
Mounting-side	through hole Ø 4.5 mm

WETTED PARTS	
Pump head	PPS
Diaphragm	FKM
Valve/gasket	FKM



Model key:

Vacuum/Pressure Eccentric Motor type

1610 VD / 2.3 / F / DC

Product line Diaphragm, valves, gasket



PUMP AND COMPRESSOR SOLUTIONS FOR OEMS WORLDWIDE

gd-thomas.com



Gardner Denver Thomas GmbH

Livry-Gargan-Str. 10
82256 Fürstenfeldbruck
Germany

T +49 8141 2280 0
F +49 8141 8892136

thomas.de@gardnerdenver.com

Gardner Denver Thomas, Inc.

1419 Illinois Avenue
Sheboygan, WI 53081
USA

T +1 920 4574891
F +1 920 4514276

td.usa@gardnerdenver.com

Gardner Denver Thomas Pneumatic Systems (Wuxi) Co., Ltd.

No. 1 New Dong An Road, Shuofang Town, Wuxi, Xinwu District
Jiangsu 214142
China

T +86 510 6878 2217
F +86 510 6878 2200

thomas.cn@gardnerdenver.com

The information presented in this material is based on technical data and test results of nominal units. It is believed to be accurate and reliable and is offered as an aid to help in the selection of Thomas products. It is the responsibility of the user to determine the suitability of the product for the intended use and the user assumes all risk and liability in connection therewith. Thomas does not warrant, guarantee or assume any obligation or liability in connection with this information.

Models presented in this catalog are representative of the product family. Photos of products pictured in this catalog do not necessarily represent a specific model number. To obtain further information for custom options, contact your local Thomas office.

Printed in Germany Form No. 17001610 02/2018 © Gardner Denver Thomas GmbH. All rights reserved.